

HISTORICAL COPY

Form K6116

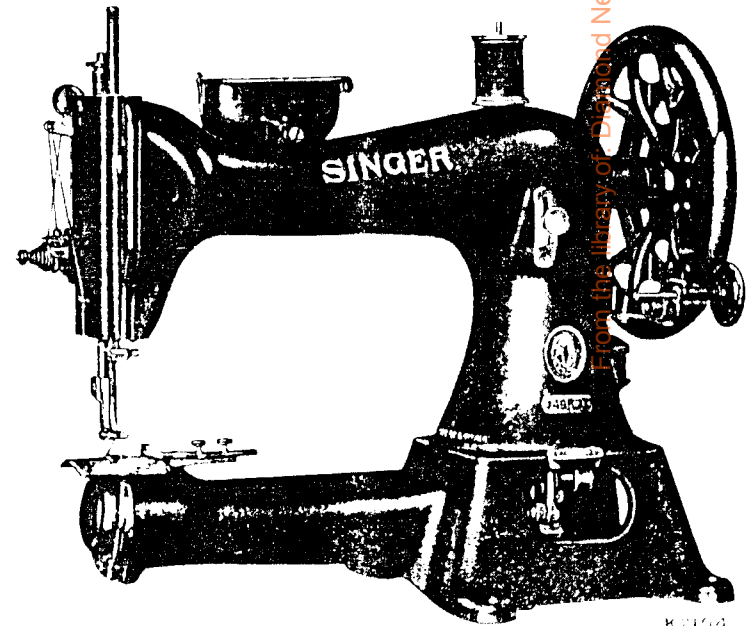
Supersedes K5804

DO NOT REMOVE

ILLUSTRATED LIST OF PARTS

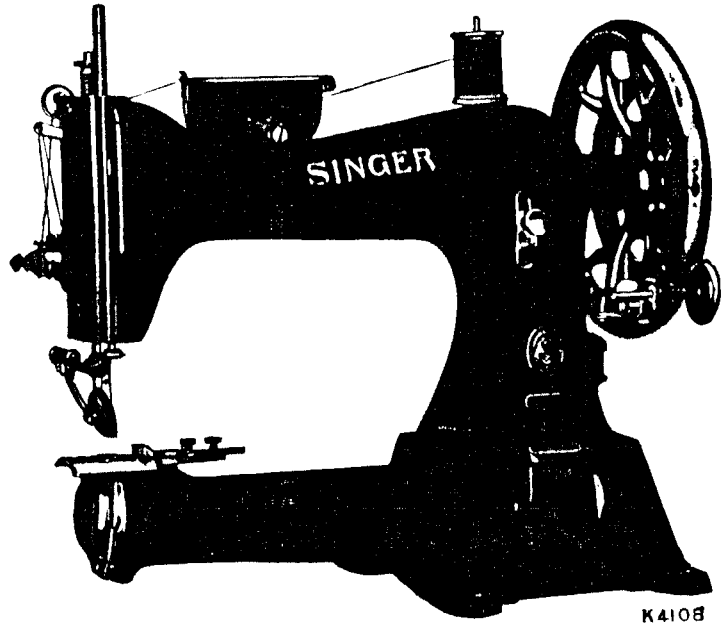
FOR

Nos 45K21, 45K25, 45K63
and 45K78 Machines

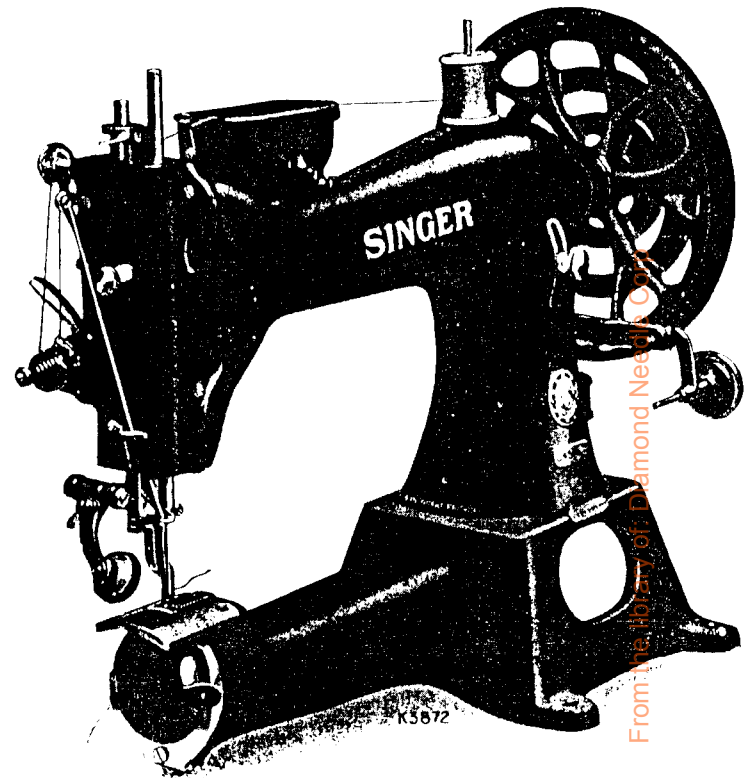


No. 45K21 Machine

**A Trade Mark of THE SINGER MANUFACTURING COMPANY

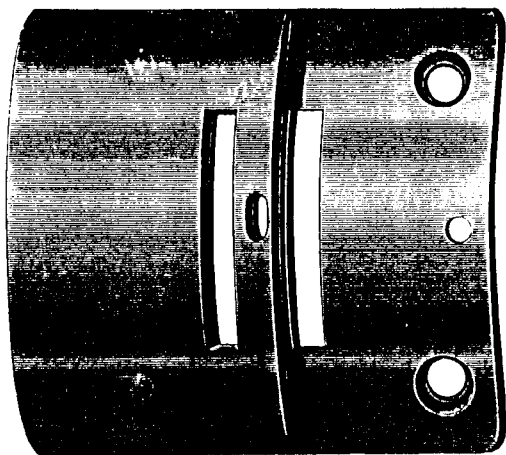


No. 45K25 Machine

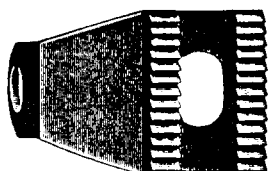


No. 45K63 Machine

85529

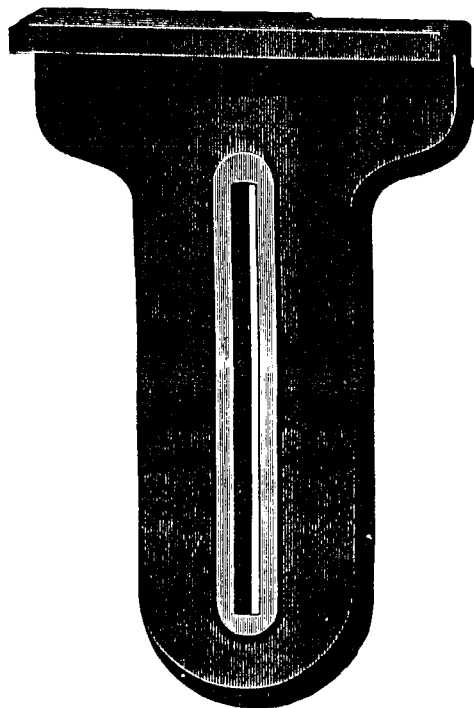


85526

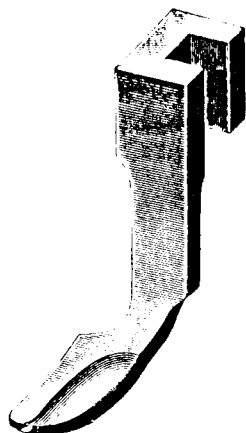


85530

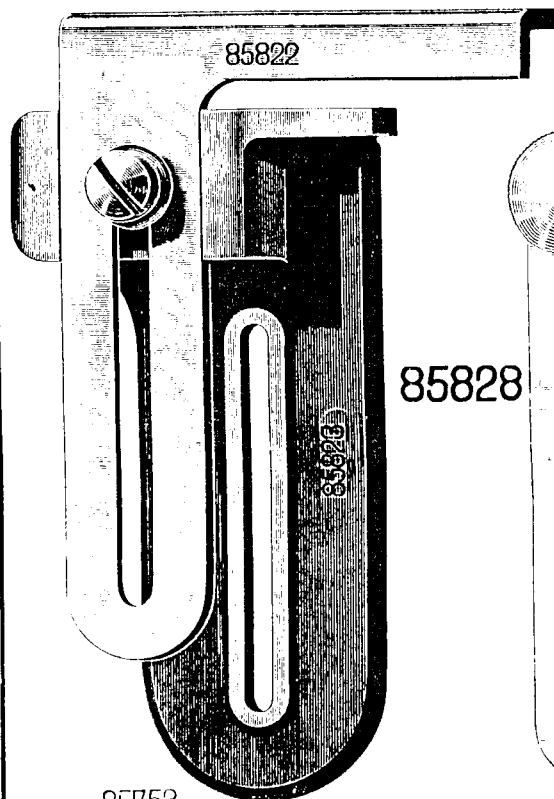
85527



85528

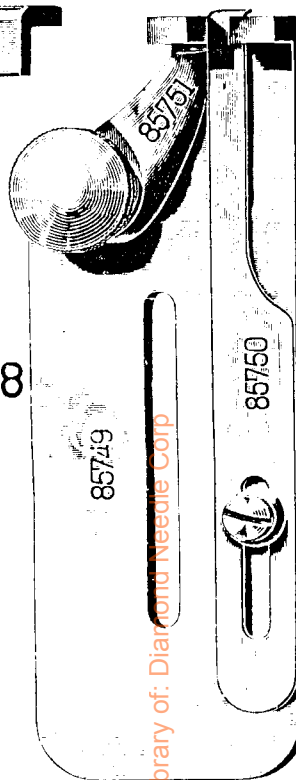


85824



85822

85752



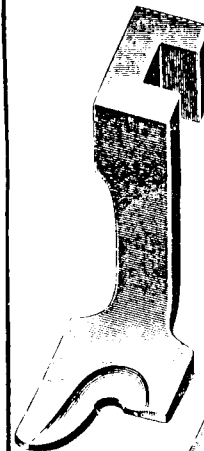
85828

85749

the library of: Diamond Needle Corp

85750

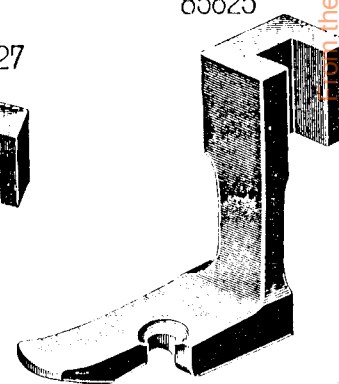
85753



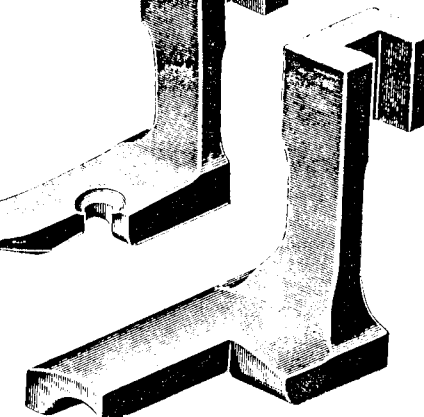
85827

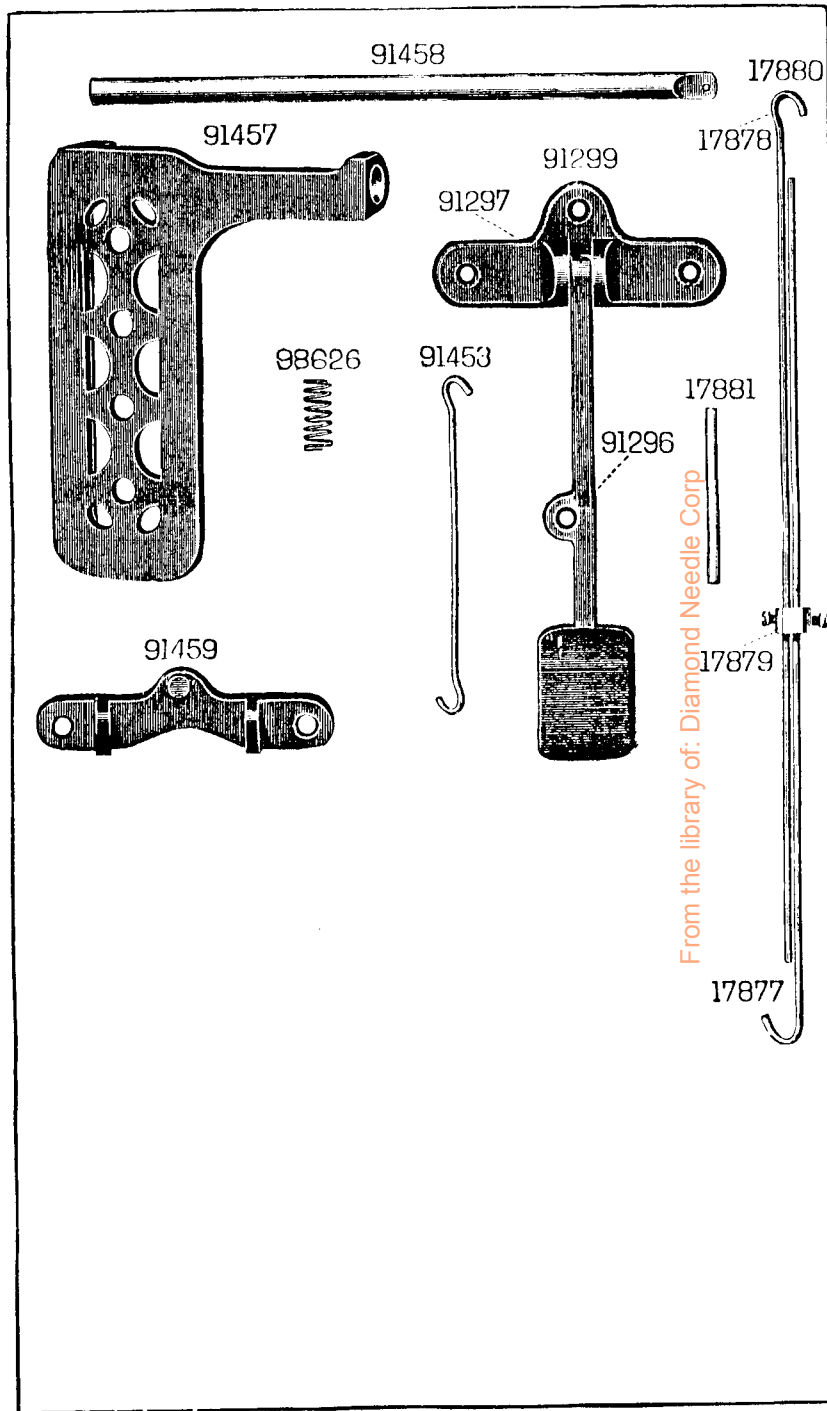
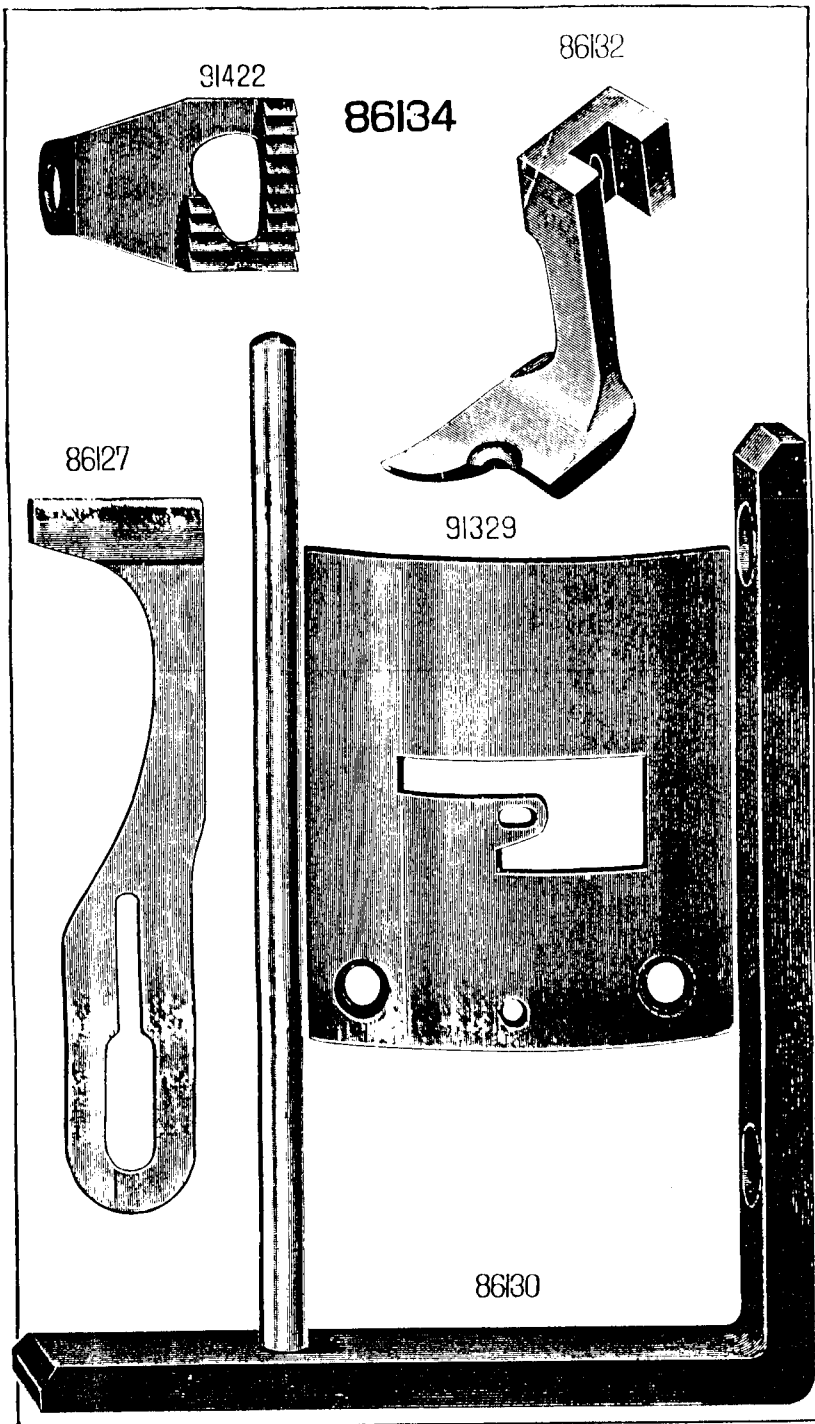


85825

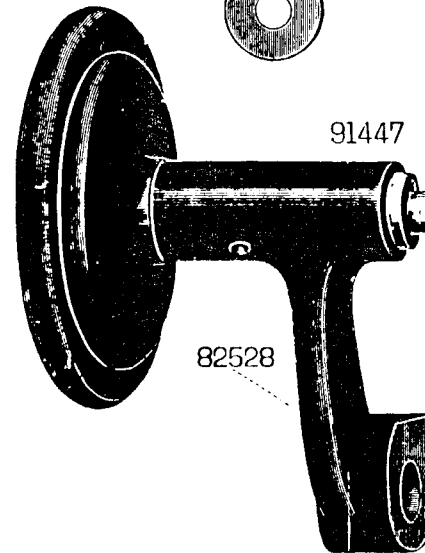
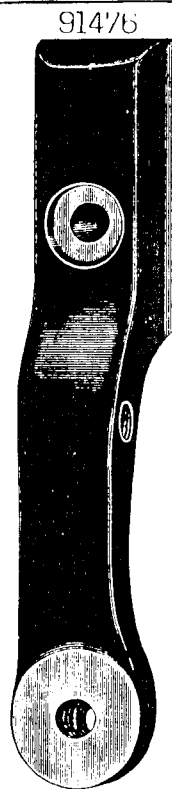
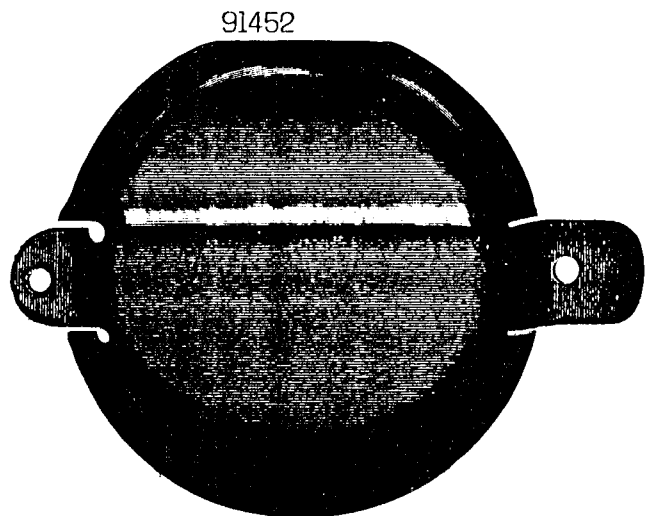


85826





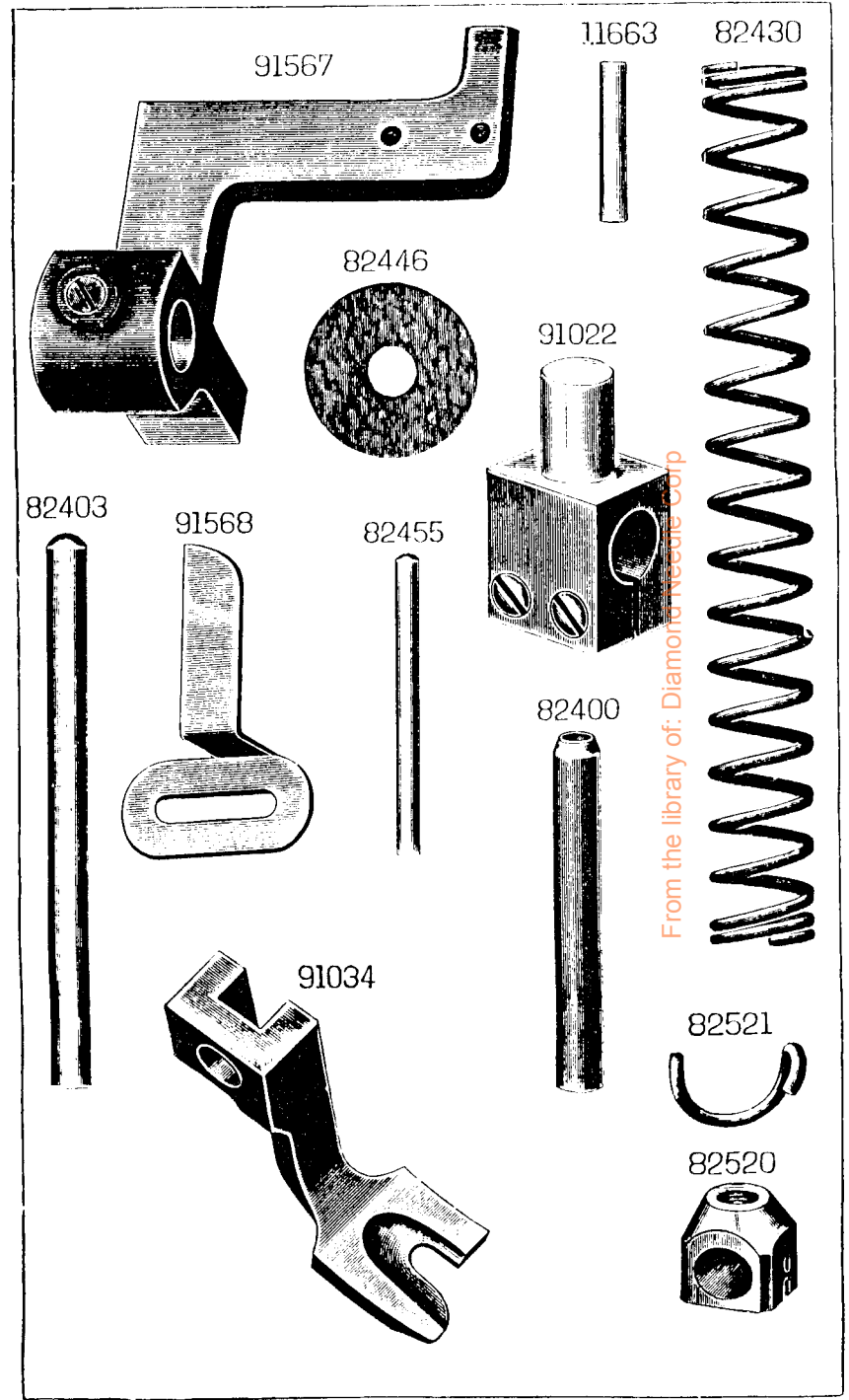
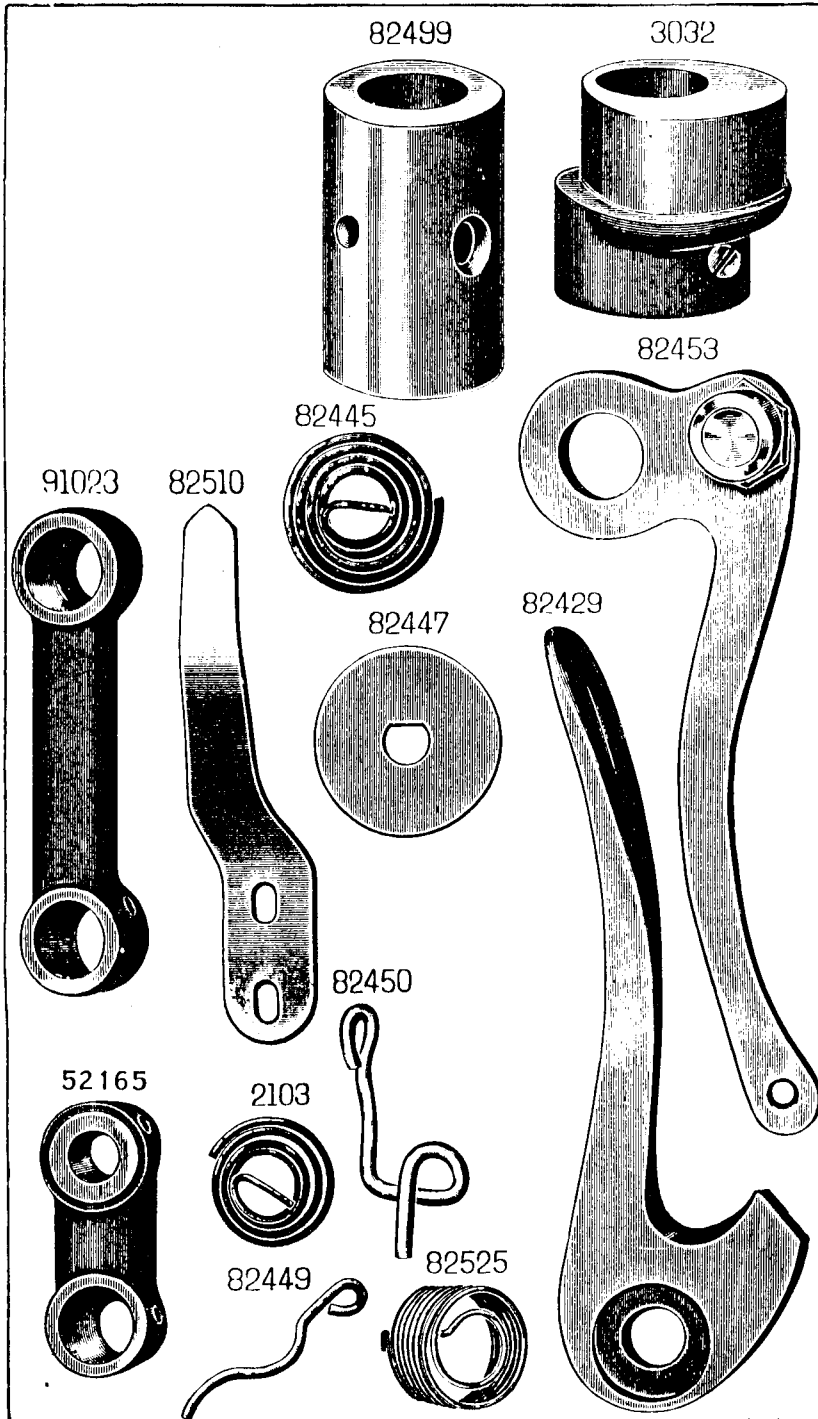
From the library of: Diamond Needle Corp

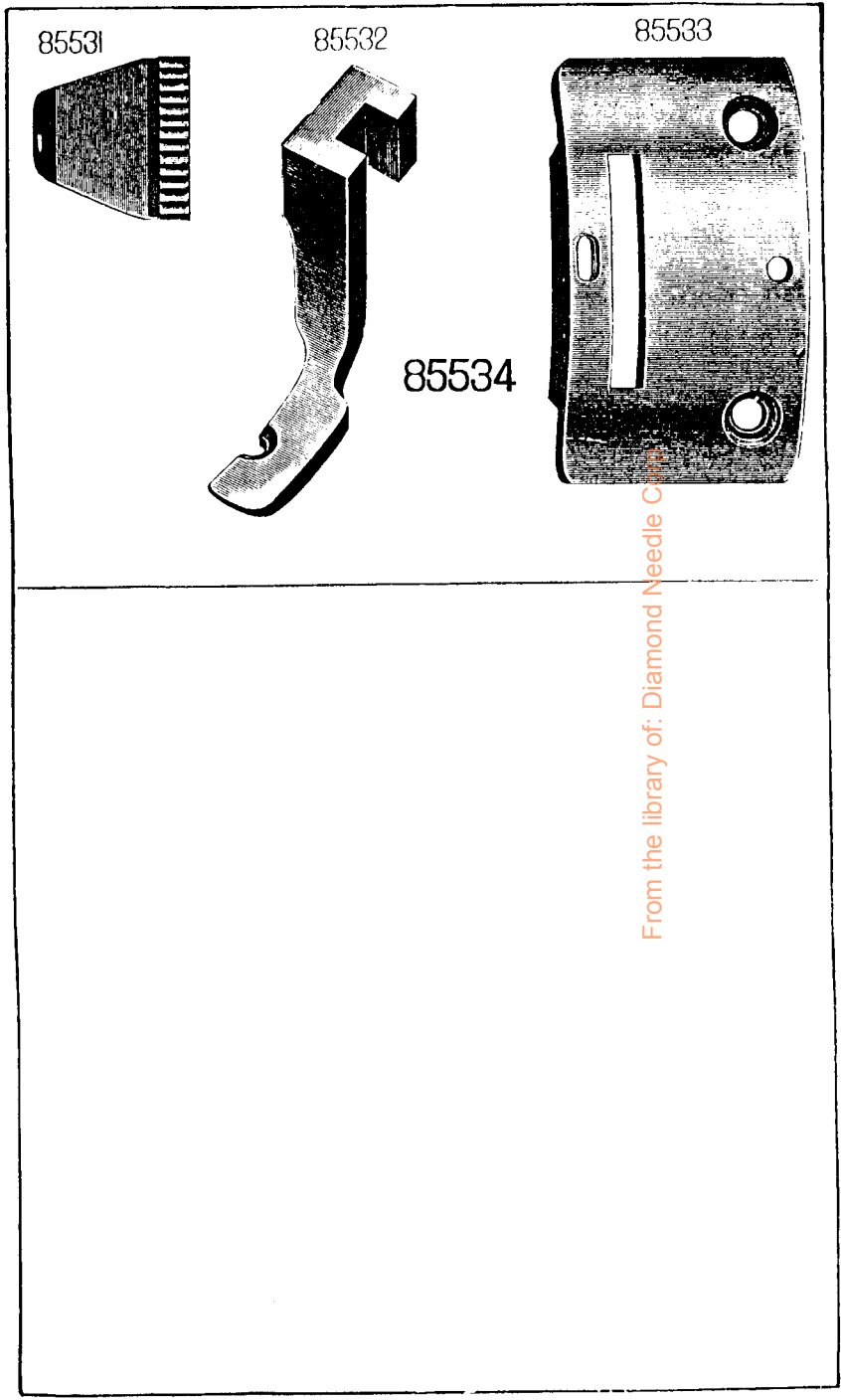
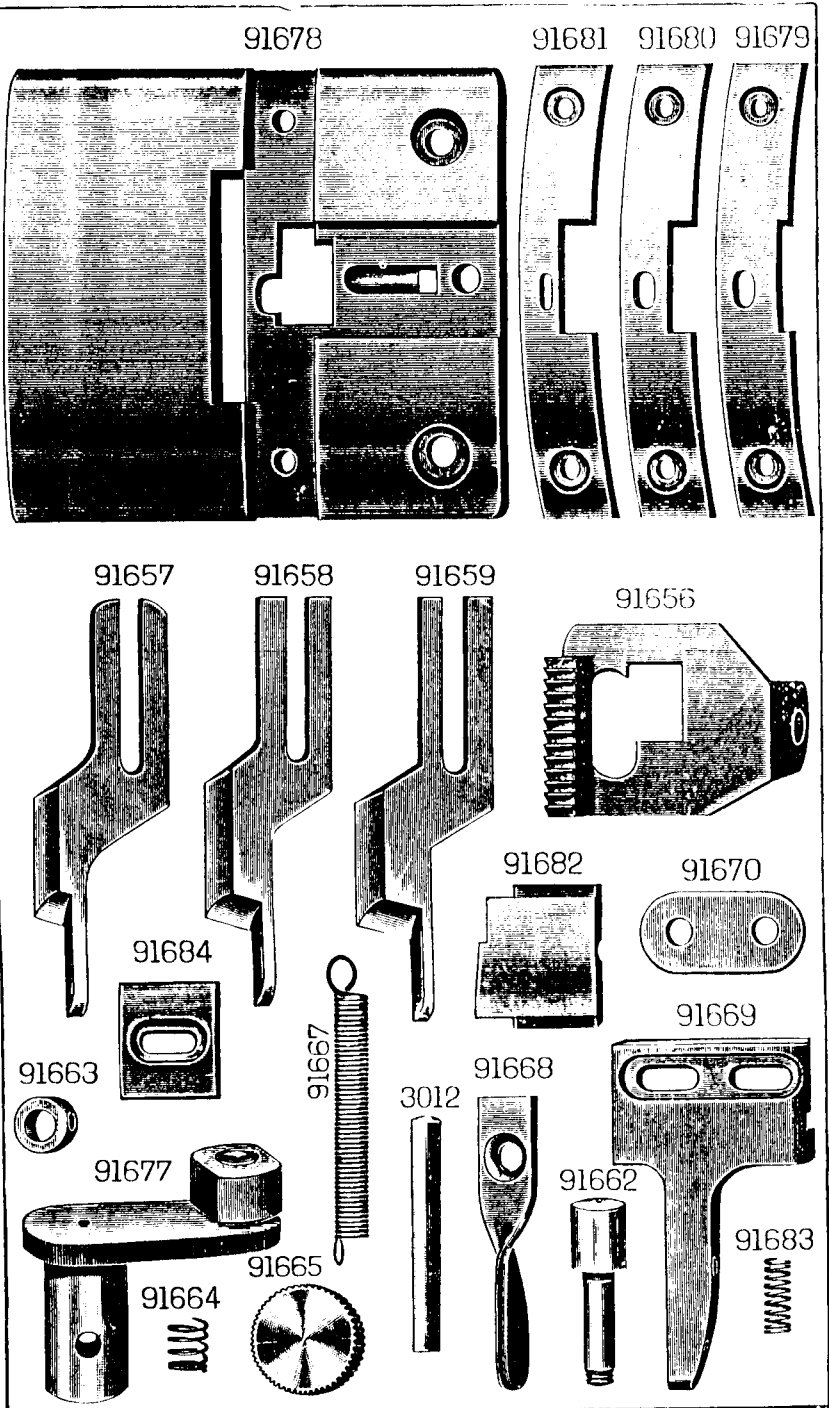


82528

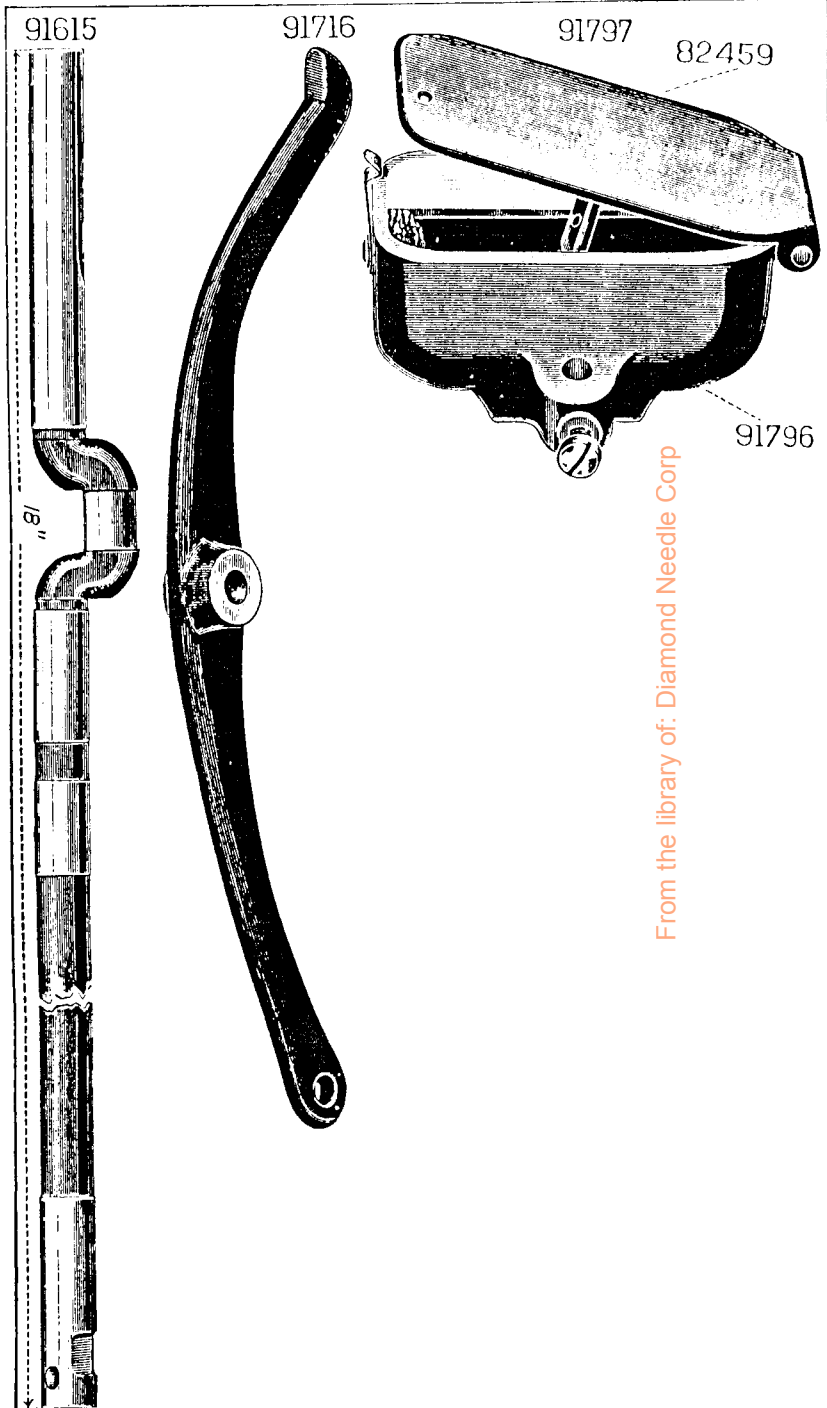
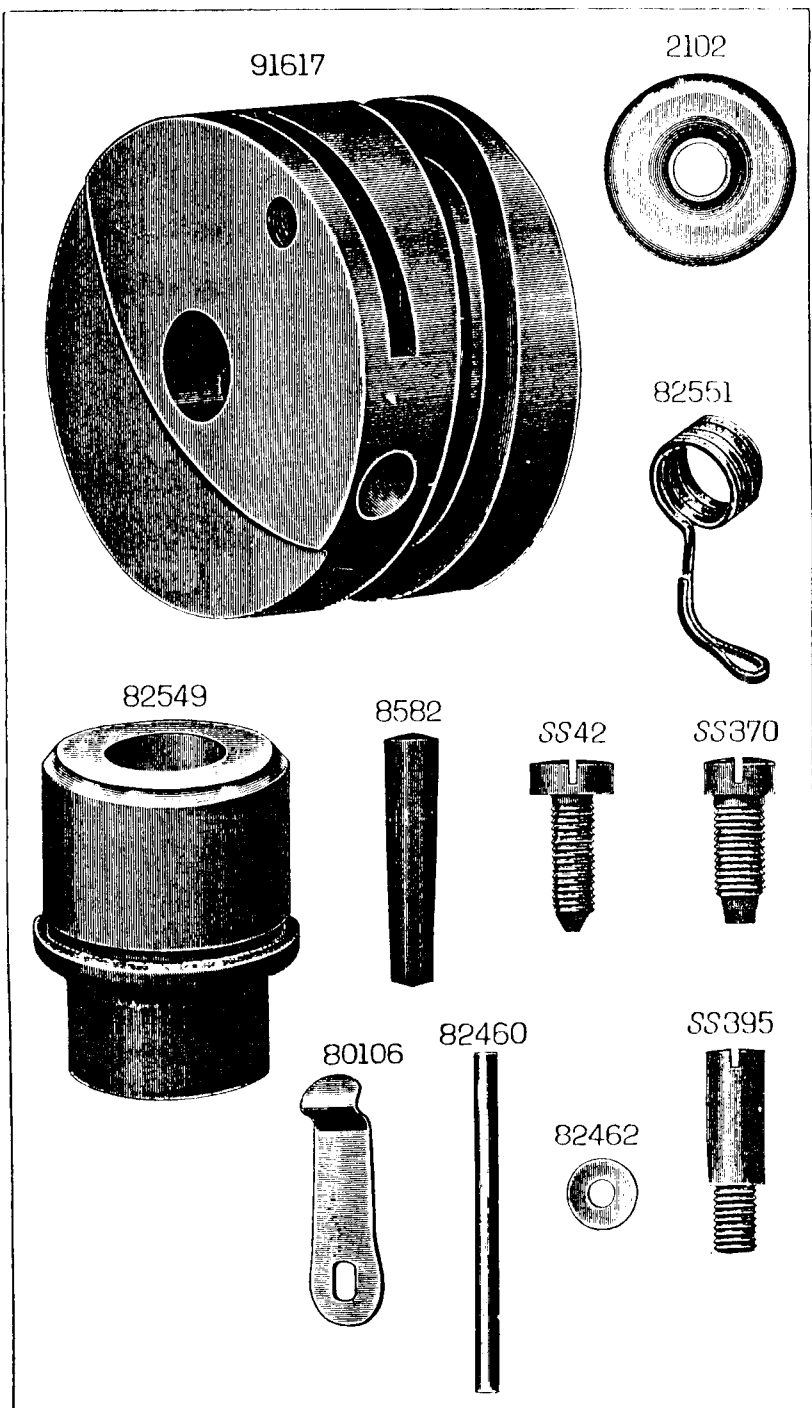
Property of: Diamond Needle Corp

82537



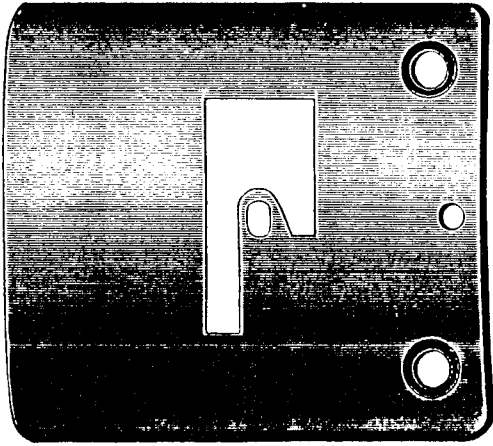


From the library of: Diamond Needle Corp.

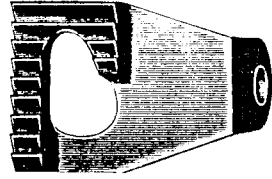


From the library of: Diamond Needle Corp

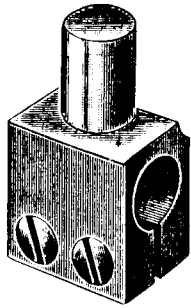
91329



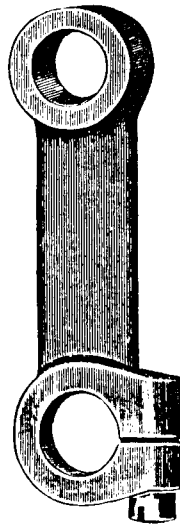
91422



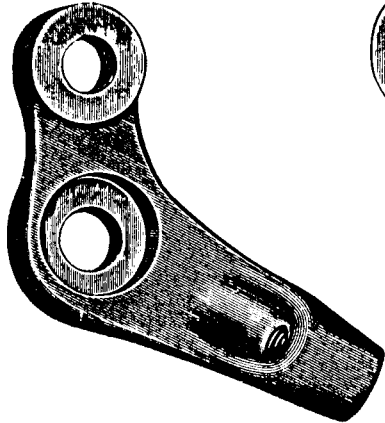
91672



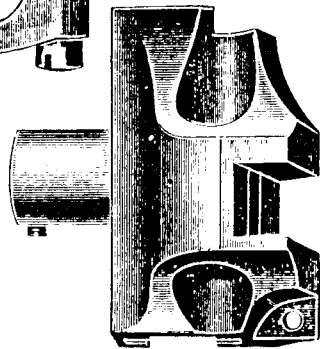
91673



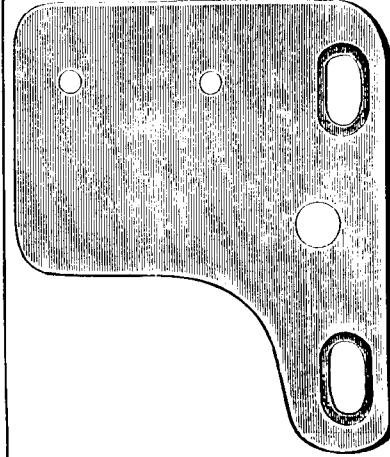
82414



91661



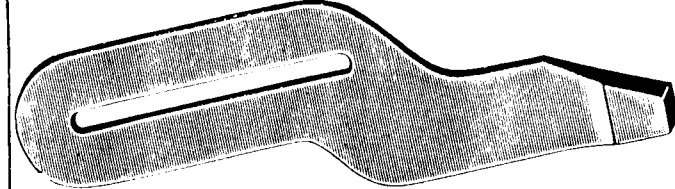
91168



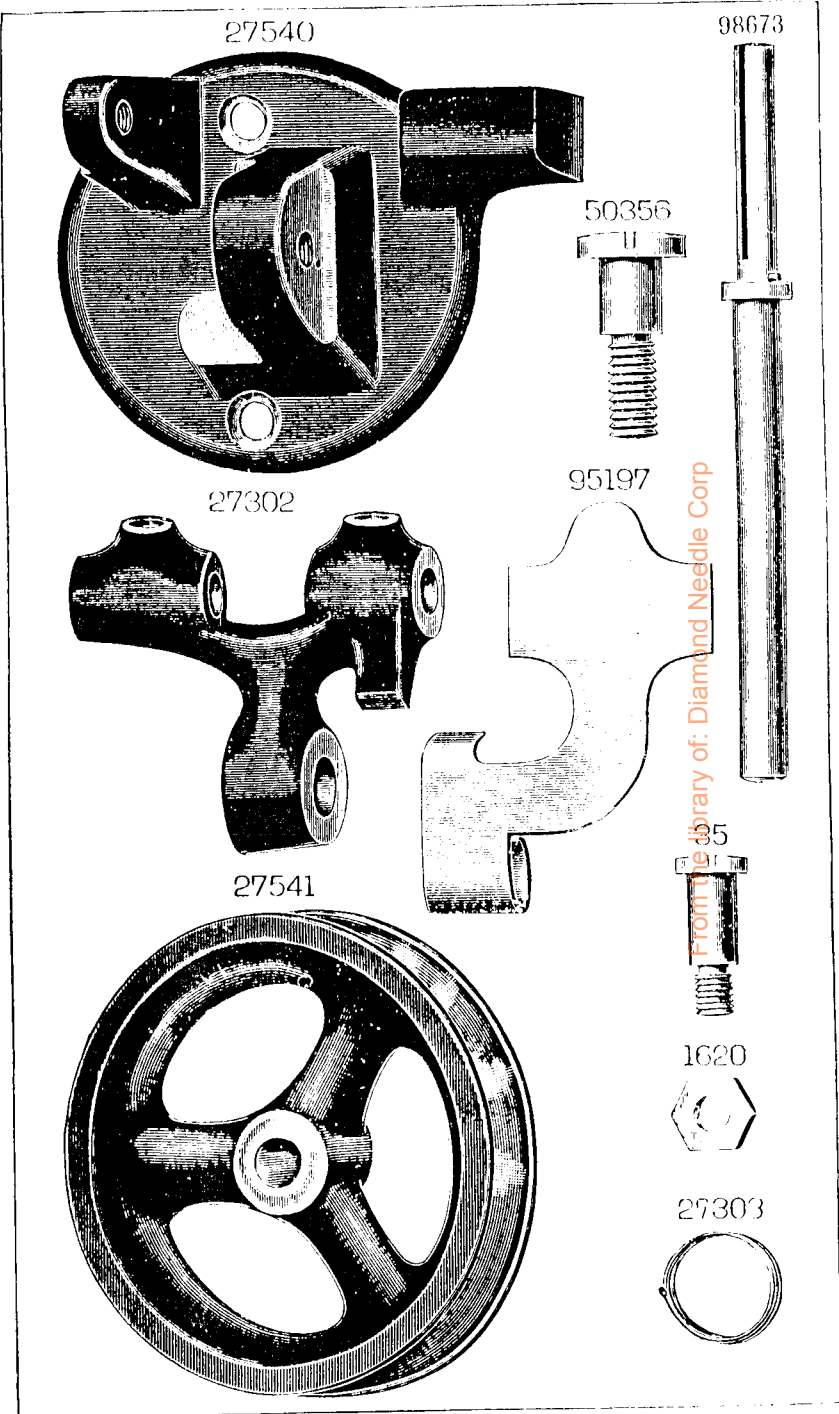
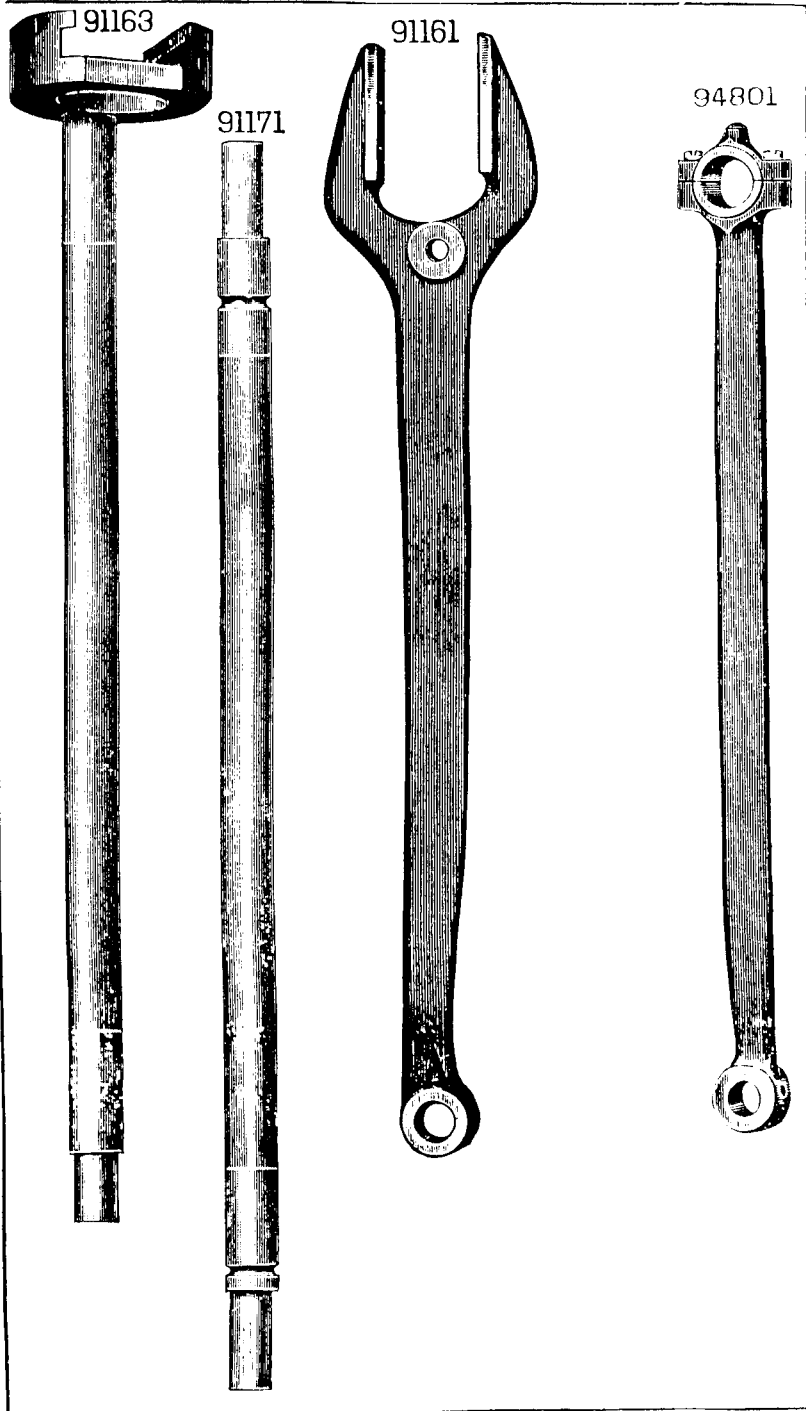
91033

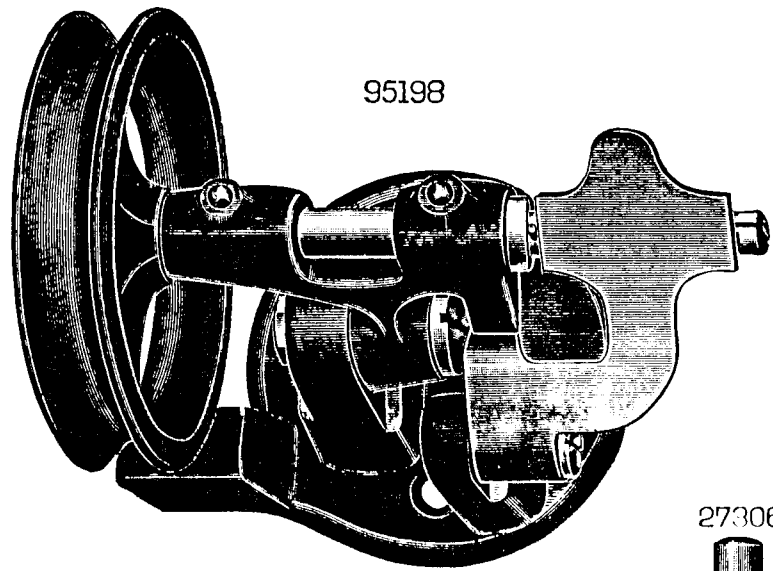


86135



From the library of: Diamond Needle Corp



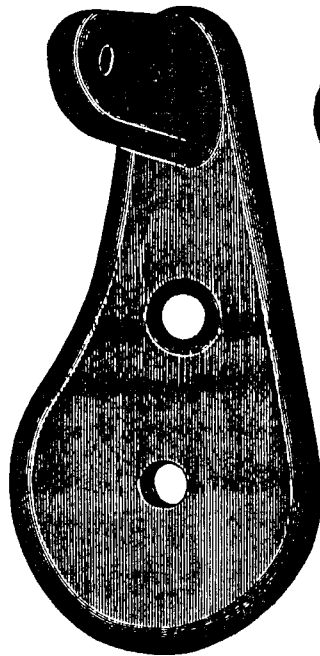


95198

27306



27307



2455



10141



1562



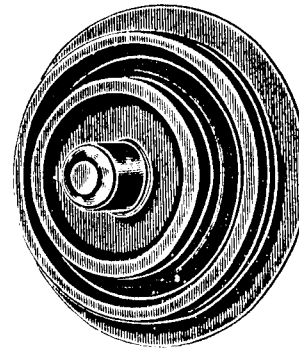
418



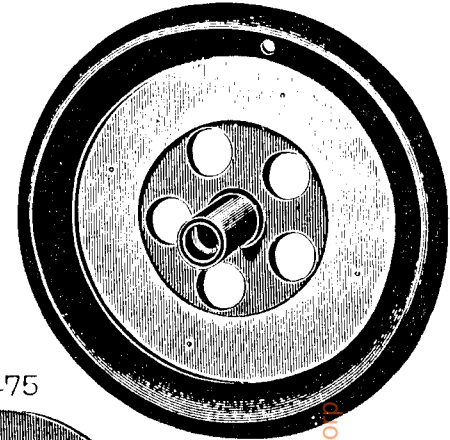
2106



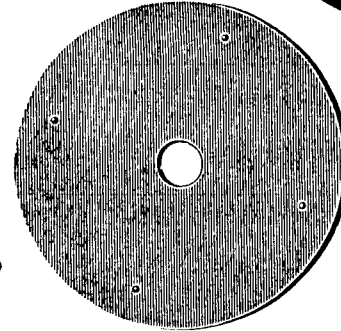
91474



91473



91475



91294



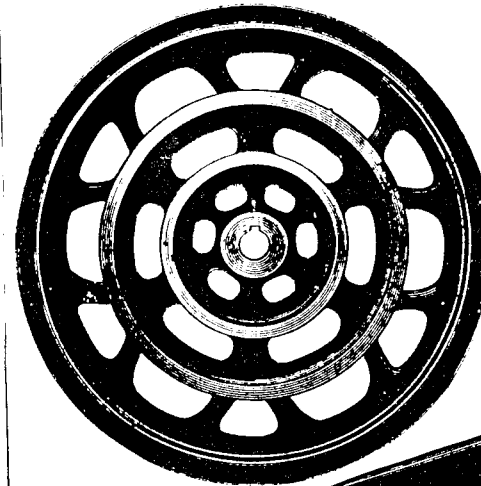
91302



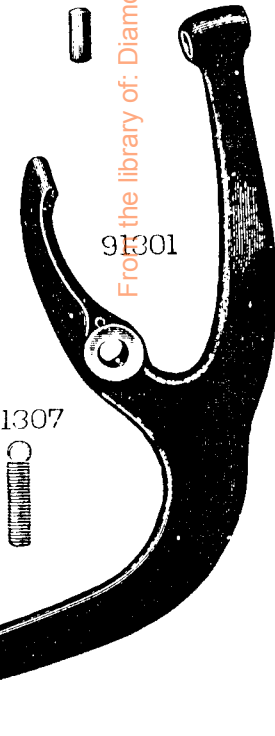
91303



82404



91301



91307

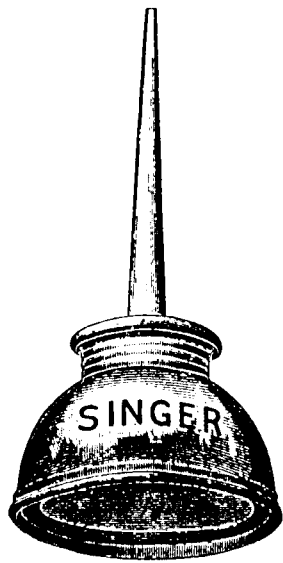


From the library of: Diamond Needle Co.

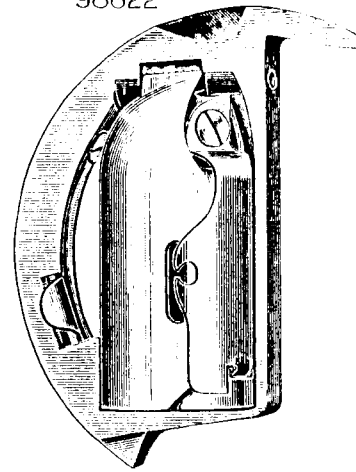
86611



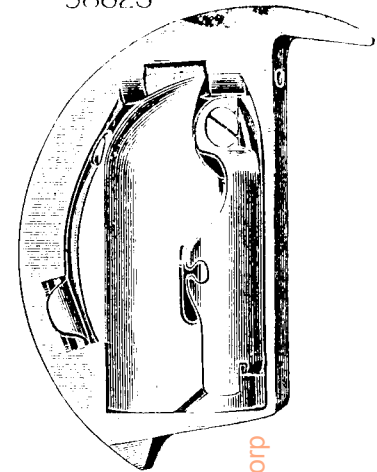
120342



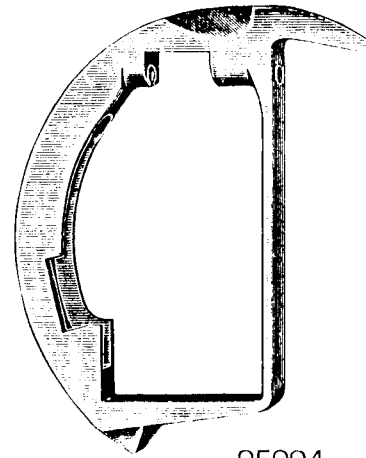
98622



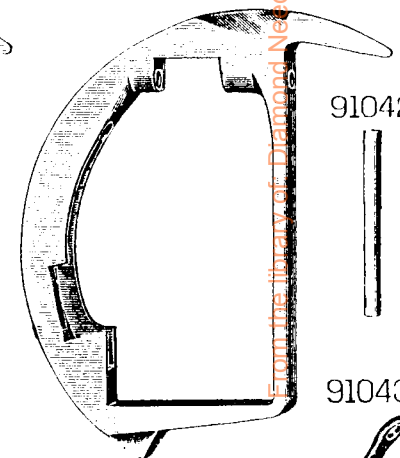
98623



98619



98620



91042



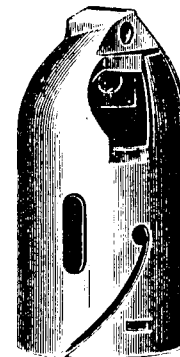
91043



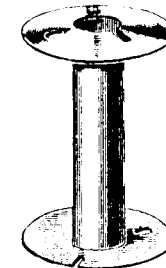
95095



95094



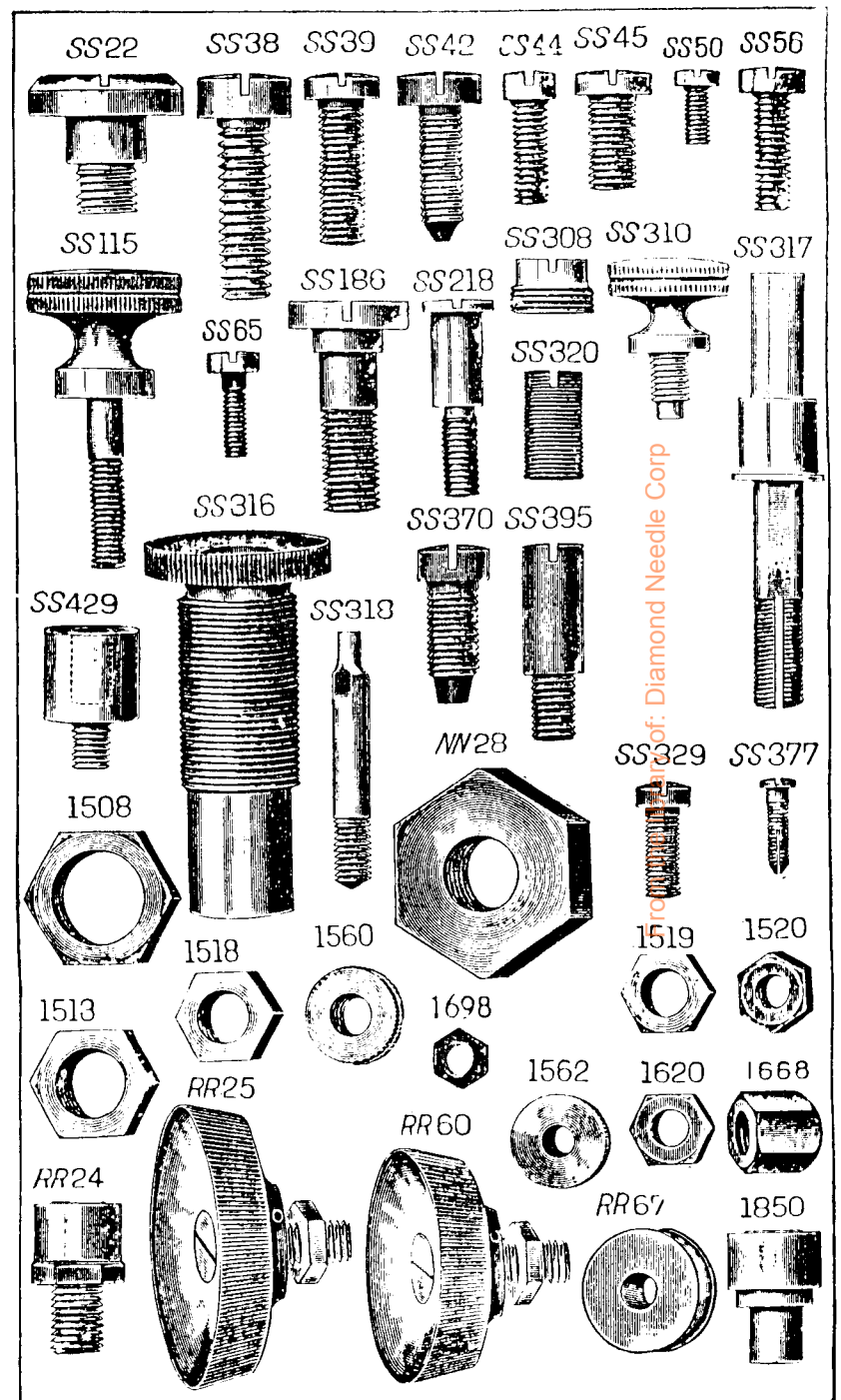
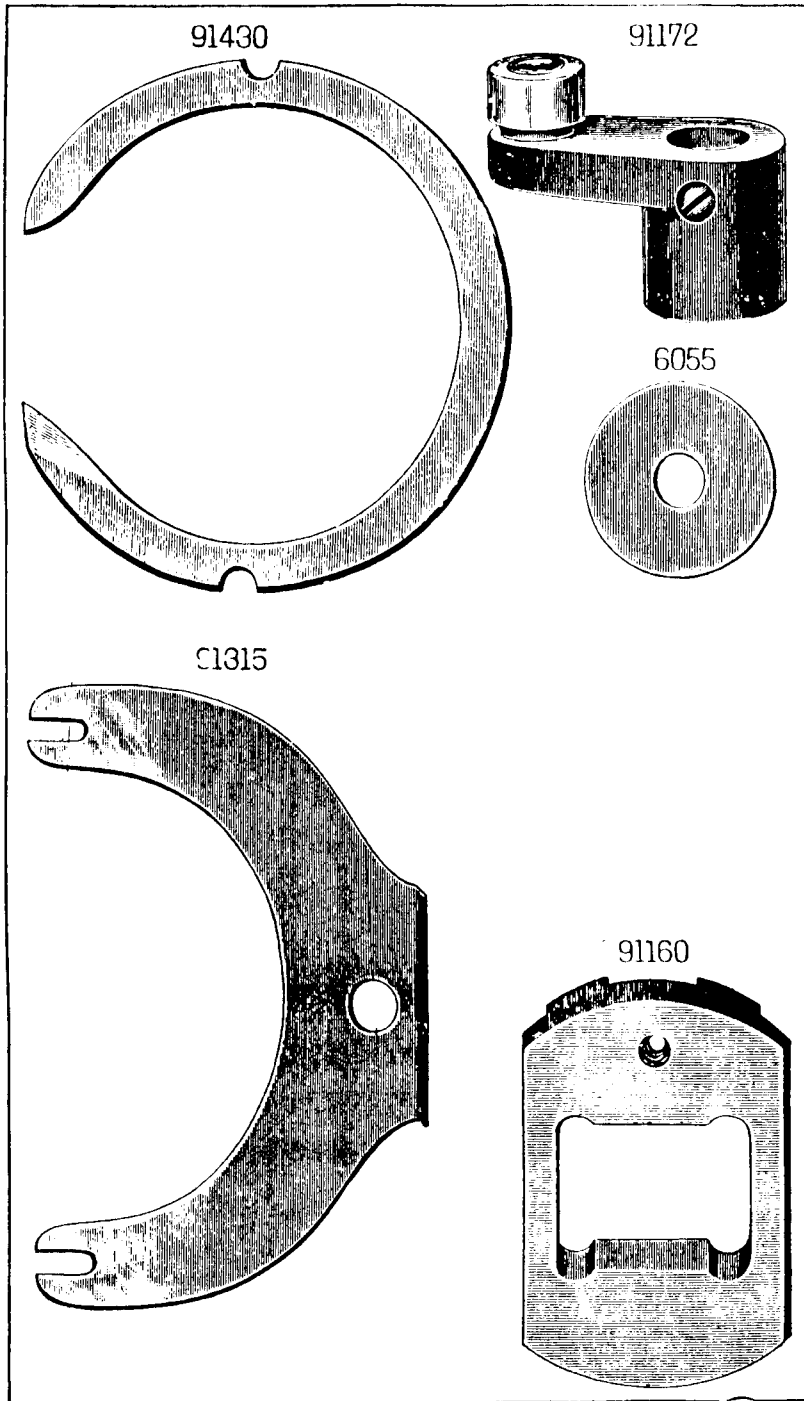
95093

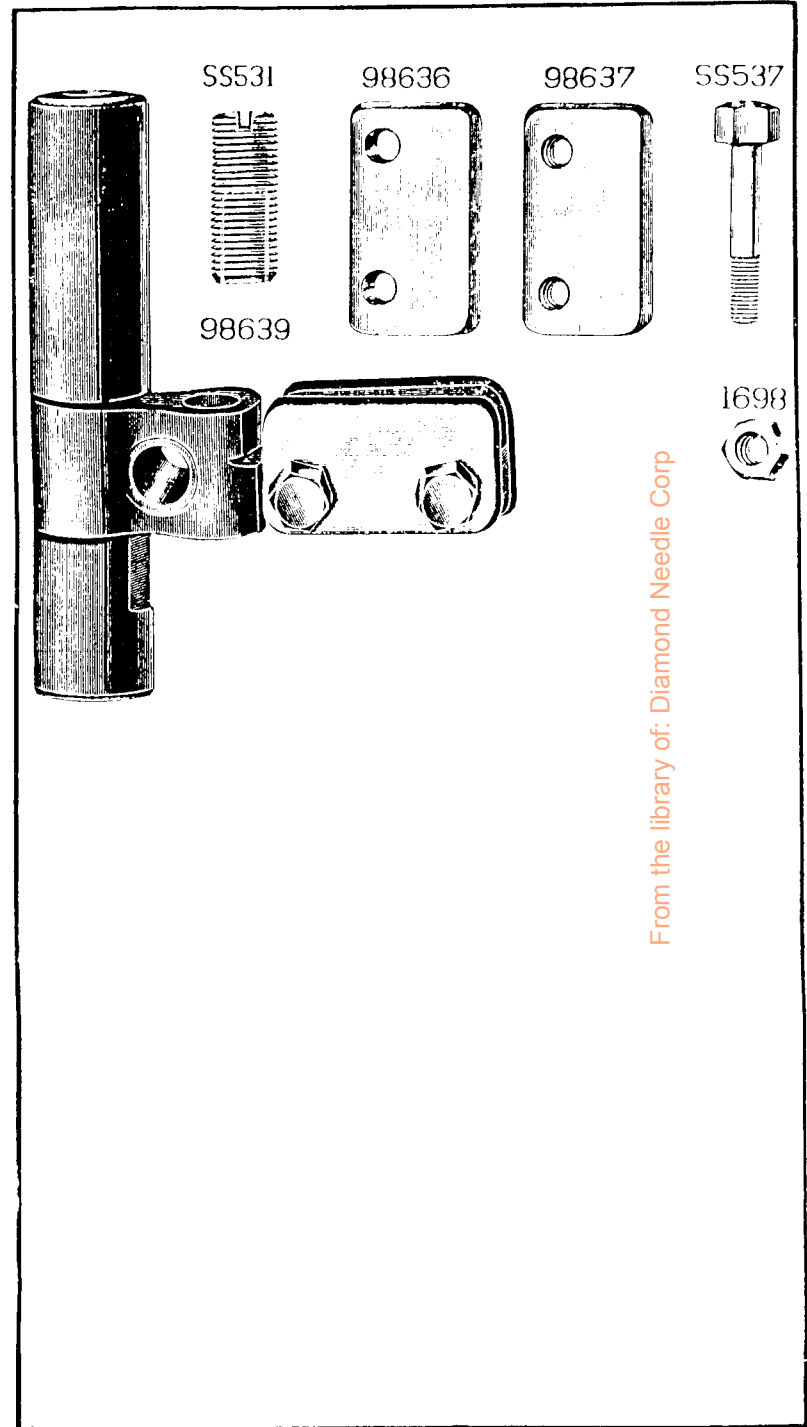
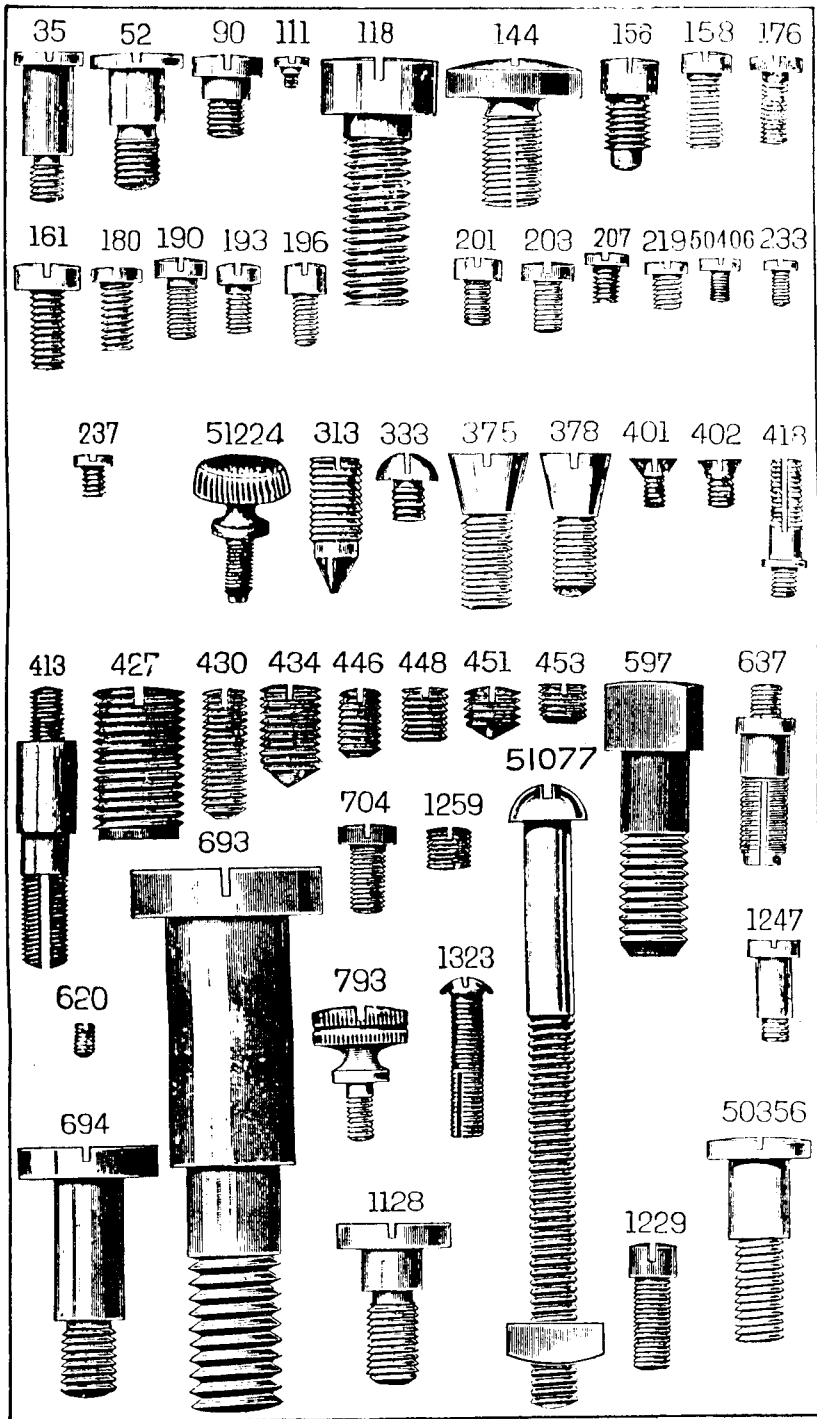


233 SS377

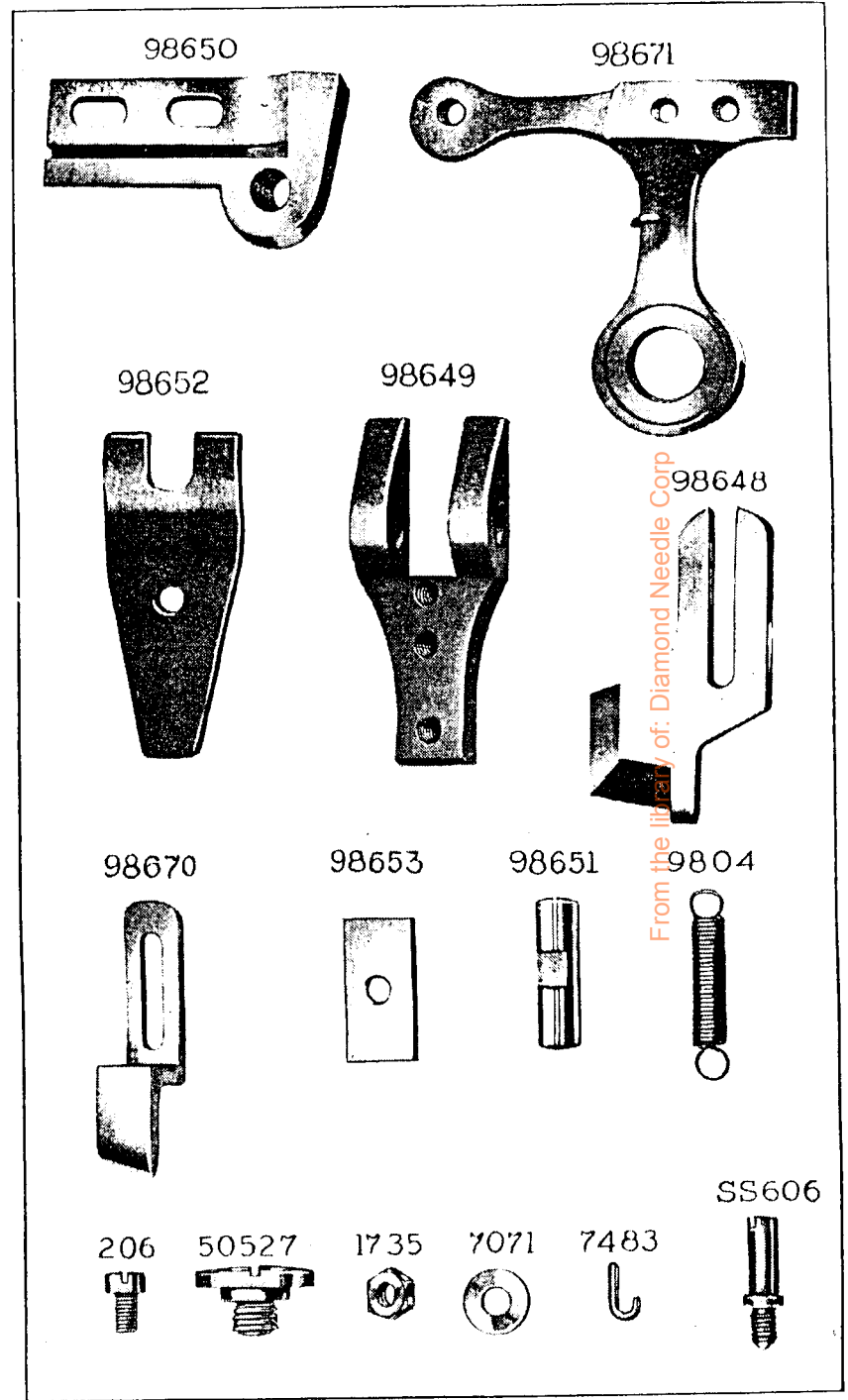
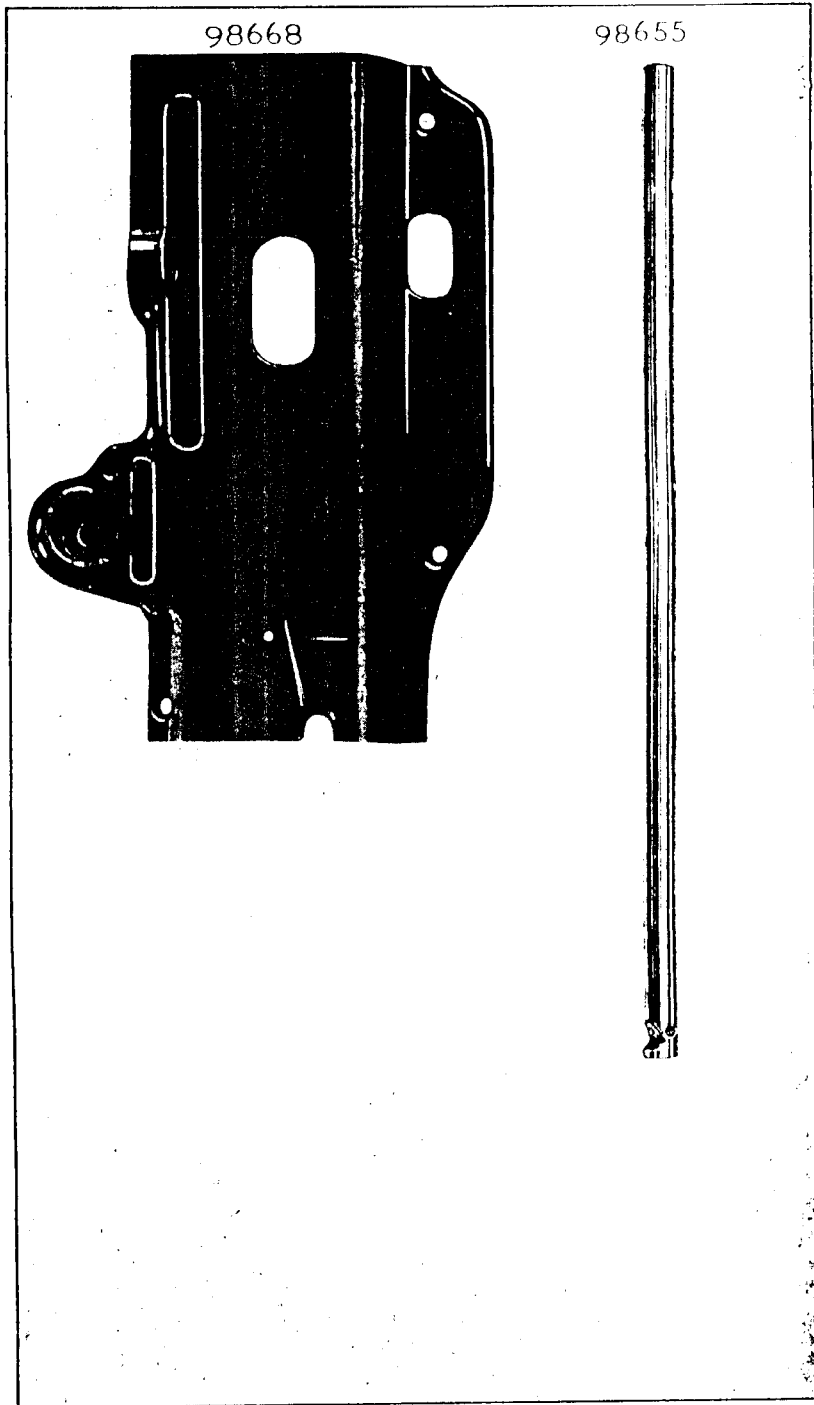


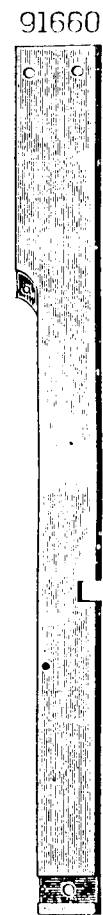
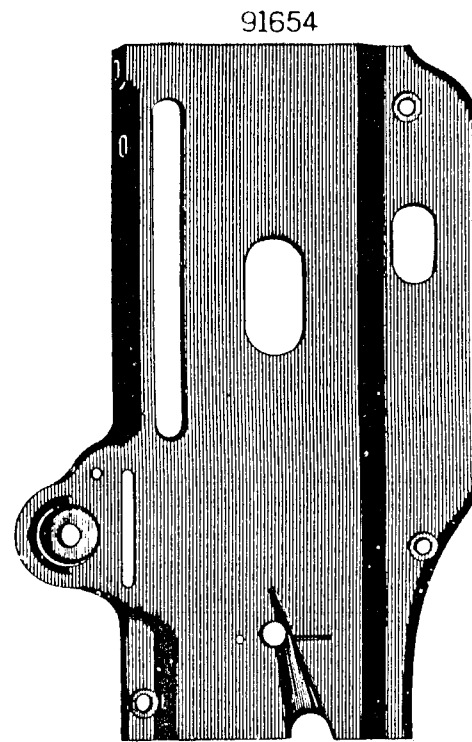
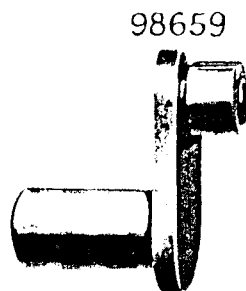
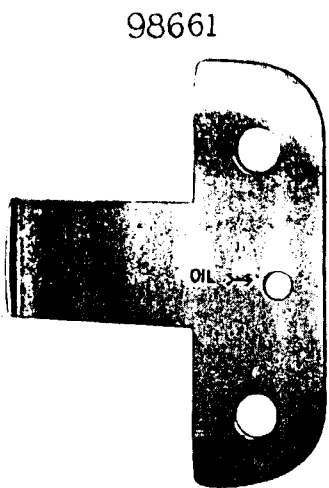
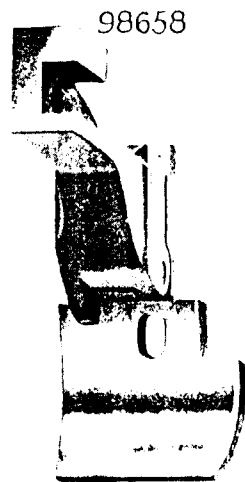
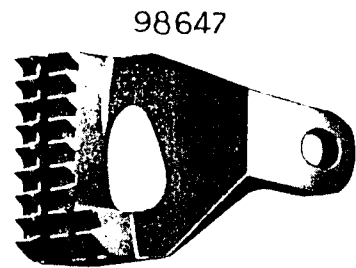
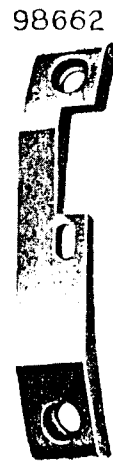
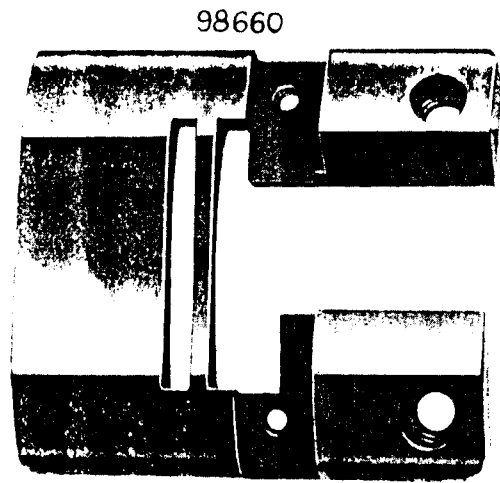
From the library of Diamond Needle Corp



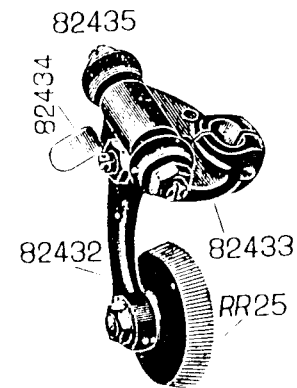
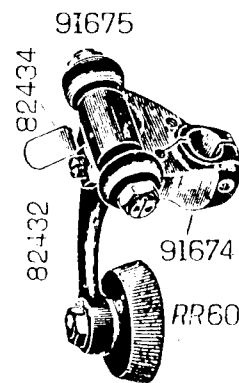


From the library of: Diamond Needle Corp





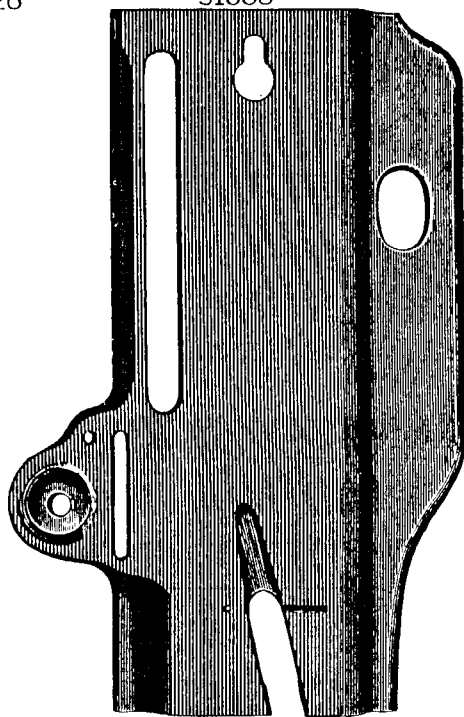
From the library of: Diamond Needle Corp



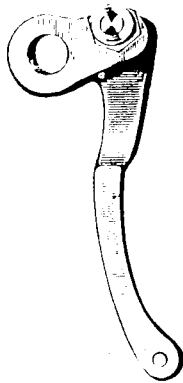
91021 82426



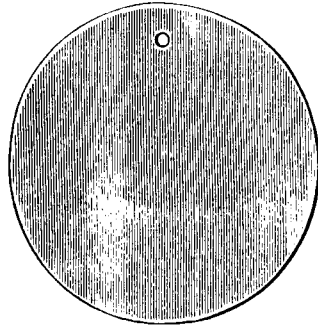
91006



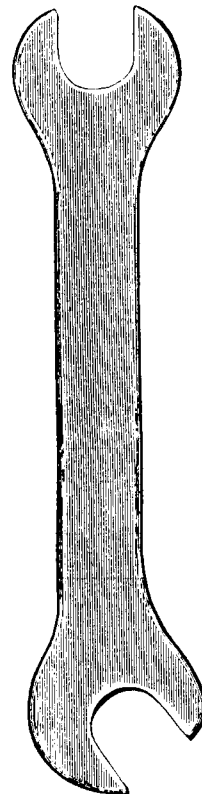
94869



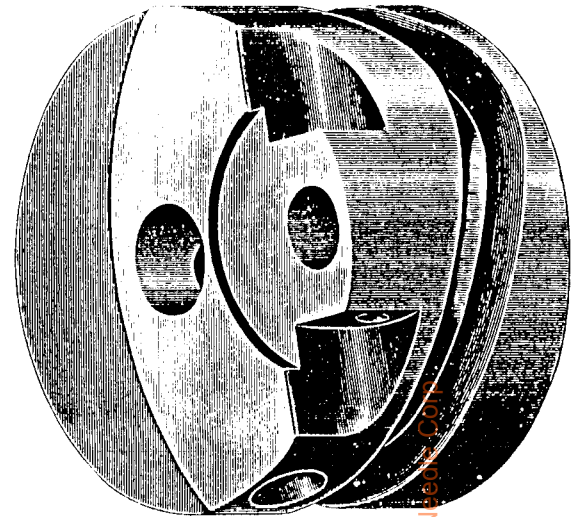
82402



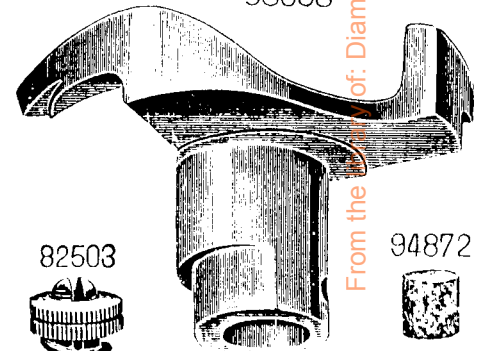
8908



91620

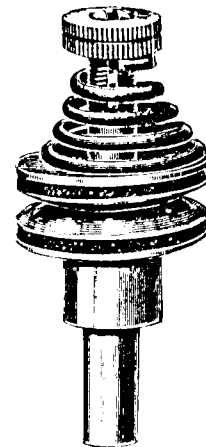


98608

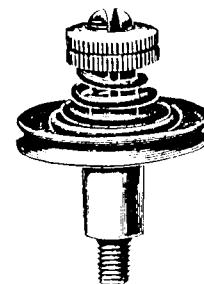


From the Library of: Diamond News Corp.

82502



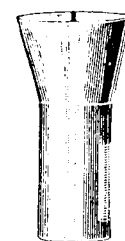
82503



94872

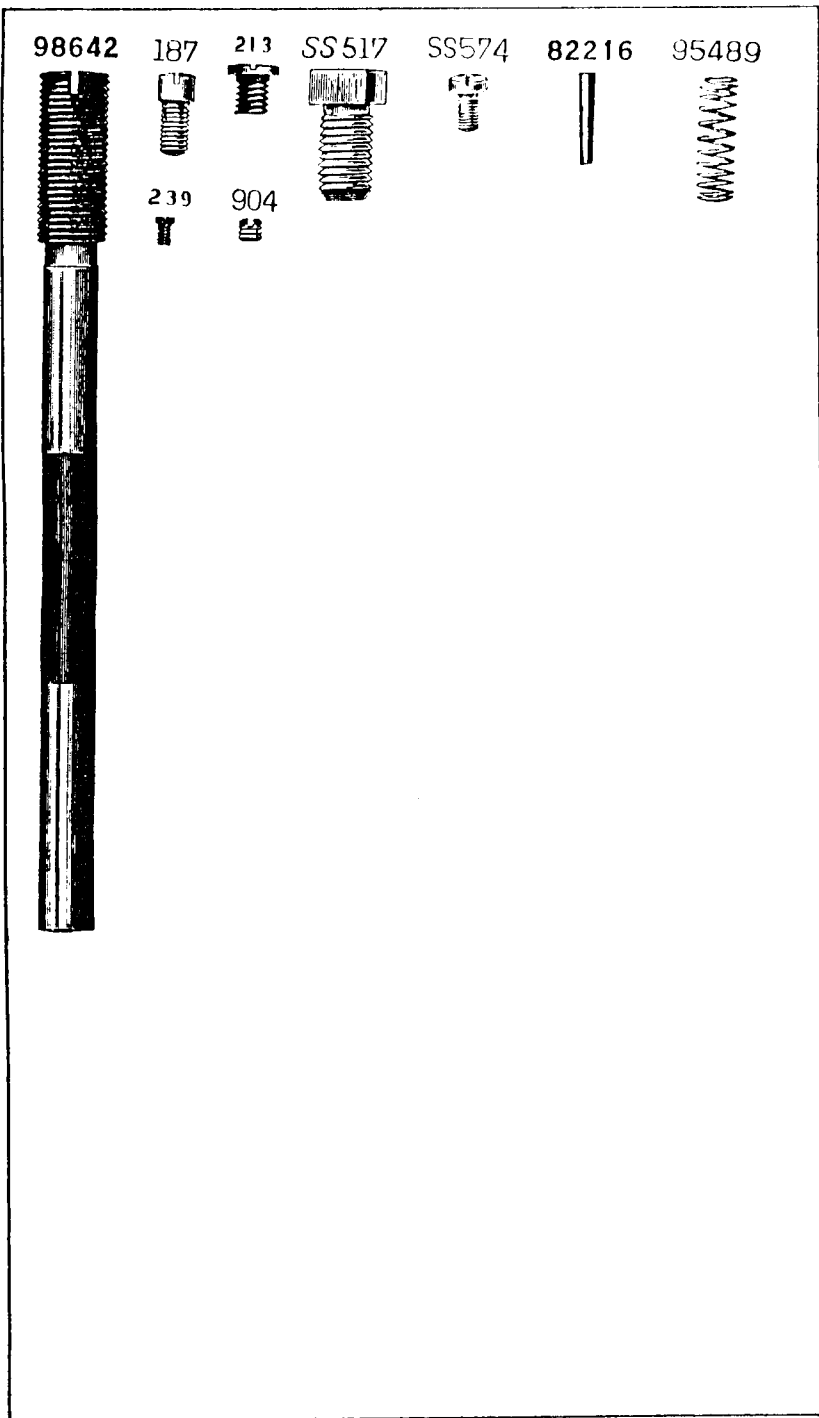


98627



98614





ILLUSTRATED LIST OF PARTS

FOR

Nos. 45K21, 45K25, 45K63

and 45K78 Machines

From the library of Diamond Needle Corp

CONTENTS

	Pages
Parts Complete for No. 45K21 Machine	43
Parts Special to 45K25 Machine	48
" " " 45K63 "	49
" " " 45K78 "	51
Accessories	53
Attachments	53
Bobbin Winders	55
Foot Lifter	56
Hot Wax Fittings	57
Driving Attachment	59
Numerical List of Parts	61

From the library of: Diamond Needle Corp

INSTRUCTIONS FOR ORDERING

In ordering from this List, the prefix and affix letters with the part number **MUST BE** quoted exactly as they are shown in the first column.

A number always indicates the same part in whatever List it may appear, or for whatever machine.

The affix letters (where shown) indicate the style of finish, as follows:—

- A. Hardened, Polished, Nickel Plated and Buffed.
- A.A. Buffed and Chromium Plated.
- A.B. Hardened, Polished, Buffed and Chromium Plated.
- A.C. Brown Baking Enamel Finish.
- A.D. Grey Baking Enamel Finish.
- A.E. Hardened, Bright Rumbled and Nickel Plated.
- A.F. Hardened, Bright Rumbled and Nickel Plated, Bright Rumbled and Chromium Plated.
- A.J. Polished, Nickel Plated and Chromium Plated.
- A.K. Hardened, Polished, Nickel Plated and Chromium Plated.
- A.L. Heat Treated for Toughness.
- A.L.D. Heat Treated for Toughness and Polished.
- A.L.X. Heat Treated for Toughness and Black Oxide.
- A.M. Beige Synthetic Enamel.
- A.N. Red Synthetic Enamel Finish.
- A.P. Blue Synthetic Enamel Finish.
- A.P.P. Grey Wrinkle Finish.
- A.R. Beige Wrinkle Finish.
- A.S. Black Moulded Phenolic.
- A.T. Beige Moulded Phenolic.
- A.U. Brown Moulded Phenolic.
- A.V. Black Synthetic Enamel.
- A.X. Grey Dipping Enamel.
- B. Polished, Nickel Plated and Buffed.
- C. Hardened only.
- C.R. Hardened and Phosforic Treated.
- D. Polished only.
- E. Soft, not Polished.
- F. Hardened and Polished.
- F.J. Hardened, Polished and Nickel Plated.
- G. Bright Rumbled and Nickel Plated.
- H. Blued.
- J. Nickel Plated only.
- K. Hardened and Nickel Plated.
- L. Brass Plated.
- M. Oxidized.
- N. Japanned, Dull.
- P. Japanned, Bright.
- P.P. Wrinkle Finish.
- R. Phosforic Treated.
- S. Cadmium Plated.
- T. Copper Plated.
- T.A. Hardened, Polished, Copper and Nickel Plated and Buffed.
- T.B. Copper and Nickel Plated and Polished.
- T.J. Copper and Nickel Plated only.
- T.K. Hardened, Copper and Nickel Plated.
- T.L. Copper and Brass Plated.
- T.M. Copper Plated and Oxidized.
- U. Zinc Plated.
- V. Silver Plated.
- W. Polished and Nickel Plated.
- X. Black Oxide for Iron and Steel.
- X.C. Hardened and Black Oxide for Iron and Steel.
- Y. Black Nickel Plated only.
- Z. Chromium Plated.
- Z.A. Hardened, Polished, Nickel Plated, Buffed and Chromium Plated.
- Z.B. Polished, Nickel Plated, Buffed and Chromium Plated.
- Z.C. Hardened and Chromium Plated.
- Z.D. Polished and Chromium Plated.
- Z.G. Bright Rumbled, Nickel Plated, Bright Rumbled and Chromium Plated.
- Z.J. Nickel and Chromium Plated.
- Z.T. Copper and Chromium Plated.

Parts marked with an asterisk (*) are furnished only when the repairs are made at Factory.

PARTS COMPLETE

FOR

No. 45K21 MACHINE

Drop Feed, Cylinder Bed, Needle Bar Link, for Leather and Textiles.

No.	Plate						
*91571	---	Arm with 446c, 82499 and 82549
8582	1062	" Dowel Pin (2)
118c	1876	" Screw (3)
91615	1063	Arm Shaft
82499	869	" " Bushing (back)
82549	1062	" " " (front)
446c	1876	" " " Set Screw for 82499
82400	871	" " Oil Tube
144c	1876	" " Screw
82402	2560	Arm Side Cover
51224d	1876	" " " Thumb Screw
82403	871	" Spool Pin
*91157	---	Bed (Cylinder)
94801	1068	Crank Connecting Rod with 94802, 94872 and two 158c
*94802	---	" " " Cap
94872	2561	" " " " Oil Pad
158c	1876	" " " " Screw
98627	2561	" " " " Hinge Stud
98614	2561	" " " " " Cottar Pin
1668c	1875	" " " " " " Nut
91006	2560	Face Plate
SS45d	1875	" " Screw (to attach to machine)
91007	---	Face Plate, complete, Nos. SS50f, 233d, 446c, 82449, 82150, 82455, 82502, 82503, 82525, 82551 and 91006

From the library of: Diamond Needle Corp

No.	Plate						
3032	869	Feed Cam with 446c
446c	1876	" " Set Screw
52165	869	Feed Connecting Link
375c	1876	" " " Hinge Screw (2)
1518e	1875	" " " " " Nut (2)
91422	1066	Feed Dog (General Work, Cloth or Leather)
91160	1874	" " Carrier
704c	1876	" " Screw
91161	1068	Feed Forked Connection
375c	1876	" " " Hinge Screw
1518e	1875	" " " " " Nut
82414	1066	Feed Regulator
1128e	1876	" " Hinge Screw
SS115	1875	" " Thumb Screw
*91162	—	Feed Rock Shaft
91163	1068	" " " 91162 with 91165 and 91166
91565	—	" " " 91163 with 98674
91165	—	" " " Carrier Slide with 1259c
1259c	1876	" " " " " Set Screw
91166	—	" " " " " Steady Pin
98674	—	" " " Crank with 156f and SS517c
SS517c	2562	" " " " Clamping Screw
156f	1876	" " " " Position Screw
86135	1067	Guide
91168	1067	" Plate (.153 thick)
180f	1876	" " Screw (2)
793d	1876	" Thumb Screw (2)
82404	1509	Machine Pulley (two-speeds) with two 434c
91002	—	" " (") (heavy) with two 434c
434c	1876	" " Set Screw
<i>NOTE.—No. 82404 is sent with this machine unless otherwise specified on order.</i>							
91021	2560	Needle Bar
91022	871	" " Connection with two 158e
158e	1876	" " " Clamping Screw
91023	869	" " " Link
375c	1876	" " " " Hinge Screw
1518e	1875	" " " " " Nut
82520	871	Needle Clamp
156f	1876	" " Screw
82521	871	" " Thread Guide
50406d	1876	" " " " Screw
82522	—	Needle Clamp 82520 with 156f, 50406d and 82521

No.	Plate						
98639	2001	Oscillating Rock Shaft with 98636, 98637, two each SS537c and 1698c
98642	2562	" " " Hinge Pin
1513j	1875	" " " " " Nut
SS531c	2001	" " " " " Screw Bearing
1513j	1875	" " " " " " Nut
98636	2001	" " " Steel Plate (bottom)
98637	2001	" " " " " (top)
SS537c	2001	" " " " " Binding Screw
1698c	2001	" " " " " " Lock Nut
98641	—	Oscillating Rock Shaft , complete, Nos. 1668c, 98614, 98627 and 98639
91171	1068	Oscillating Shuttle Shaft
91172	1874	" " " Crank with 153c and 1850
11663	871	" " " " Pin
1850	1875	" " " " Roller and Stud
453c	1876	" " " " Set Screw
82426	2560	Presser Bar (with squared end)
91568	871	" " Lifting Bracket Automatic Thread Controller
207f	1876	" " " " " " " " " " Screw
82429	869	" " Lifter
SS186d	1875	" " " Hinge Screw
1518e	1875	" " " " " Nut
91567	871	" " Lifting Bracket with 446c
446c	1876	" " " " Set Screw
82510	869	" " " " Tension Release
190f	1876	" " " " " " " " " " Binding Screw
91569	—	" " " " 91567 with 82510 and two 190f
SS316d	1875	" " Screw Bushing
82430	871	" " Spring
91033	1067	Presser Foot (cloth)
85827	175	" " (leather)
91034	871	" " (")
SS65f	1875	" " Screw
<i>NOTE.—No. 91033 is sent with this Machine unless another Presser Foot is specified on order.</i>							
95093	1697	Shuttle Bobbin
95094	1697	" Cylinder
91042	1697	" " Hinge Pin
91043	1697	" " Latch Spring
SS574d	2562	" " " " Screw
98620	1697	" Frame
95095	1697	" Tension Spring
SS377f	1697	" " " Adjusting Screw

No.	Plate	
98623	1697	Shuttle (Cylinder) 2½" diam., complete, Nos. SS377f, SS574d, 91042, 91043, 95093 to 95095 and 98620
<i>NOTE.—No. 98623 can only be used with No. 98608 and not with old style Shuttle Drivers.</i>		
98608	2561	Shuttle Driver and Feed Raising Cam
11663	871	" " Pin
<i>NOTE.—No. 98608 can only be used with No. 98623 and not with old style shuttles.</i>		
91451	827	Shuttle Race (cast iron)
91315	1874	" " Cap Spring
SS218d	1875	" " " " Screw
91452	827	" " Cover
91430	1874	" " Ring
SS318d	1875	" " " " Position Screw Stud (2)
SS317e	1875	Tension Screw Stud
1560d	1875	" " " " Regulating Thumb Nut
446c	1876	" " " " Set Screw
82445	869	Tension Spring
82446	871	" Washer (felt)
82447	869	" " (steel)
82448	-	" Wheel
82502	2561	Tension , complete, Nos. SS317e, 1560d, 82445, 82448, two each 82446 and 82447
82551	1062	Thread Controlling Lever
82525	869	" " " Spring
82455	871	" " " Stop Pin
82450	869	Thread Eyelet
SS50f	1875	" " Screw
82449	869	Thread Guard
233d	1876	" " Screw
2102	1062	Thread Retainer Disc
*413e	1876	" " Screw Stud
33892	-	" " " " 413e with 1560d
1560d	1875	" " " " Regulating Thumb Nut
2103	869	" " Spring
82503	2561	Thread Retainer , complete, Nos. 2103, 33892 and two 2102

No.	Plate	
91617	1062	Thread Take-up Cam with SS320c and SS370c
SS320c	1875	" " " Set Screw
SS370c	1062	" " " Timing Screw
82452	-	Thread Take-up Lever
82453	869	" " " 82452 with RR24 and 1519e
SS22f	1875	" " " Hinge Screw
RR24	1875	" " " Roller and Screw Stud
1519e	1875	" " " " " " " Nut
91329	1066	Throat Plate
180f	1876	" " Screw (2)
91796	1063	Oil Box
82459	1063	" " Cover
82460	1062	" " " Hinge Pin
80106	1062	" " " Latch Spring
219f	1876	" " " " " " Screw
82462	1062	" " " " " " Washer
82463	-	" " Oil Pad (cloth)
SS50f	1875	" " " " " " Screw
82462	1062	" " " " " " Washer
SS395f	1062	" " Stud Screw
SS42f	1062	" " " " " " Set Screw
91797	1063	Oil Box , complete, Nos. SS42f, SS50f, 219f, 80106, 82459, 82460, 82463, 91796 and two 82462
91177	-	Work Plate
SS39d	1875	" " Screw

NOTE.—No. 91177 is only supplied when specified on order and at an extra charge.

No. 45K25 Machine

Drop Feed, Cylinder Bed, Needle Bar Link and Roller Presser
for Leather Work.

This Machine is the same as No. 45K21 with the exception that No. 82135 is
sent in place of Presser Feet.

No.	Plate	
RR25	1875	Roller ($1\frac{1}{2}$ " diam. \times $\frac{5}{16}$ " face) with 378c and 1520r ...
82432	2559	" Arm ...
82433	2559	" " Bracket ...
430al	1876	" " " Adjusting Screw ...
1520r	1875	" " " " Nut ...
SS329c	1875	" " " Clamping Screw ...
82434	2559	" " Lock Spring ...
SS50c	1875	" " " Screw ...
313c	1870	" " " Screw Centre ...
1519c	1875	" " " " Nut ...
378c	1870	" Bearing Screw ...
1520r	1875	" " " " Nut ...
82435	2559	Roller Presser , complete. ($1\frac{1}{2}$ " \times $\frac{5}{16}$ " Nos. RR25, SS50c, SS329c, 430al, 1520r, 82432 to 82434, two each 313c and 1519c ...

No. 45K63 Machine

Drop Feed, Cylinder Bed, Roller Presser and Trimming
Attachment.

This Machine is the same as 45K21 with the following exceptions:

No.	Plate	
*91693	-	Arm , with 416c, 82499 and 82519 ...
91654	2559	Face Plate ...
91655	-	Face Plate , complete, Nos. SS50f, 233d, 416c, 82449, 82450, 82455, 82502, 82503, 82525, 82551 and 91654 ...
SS44f	1875	Face Plate Screw (3) (to attach to machine) ...
91656	880	Feed Dog ...
91657	880	Knife , $\frac{5}{32}$ " ...
91658	880	" $\frac{1}{4}$ " ...
91659	880	" $\frac{5}{16}$ " ...
91660	2559	" Bar ...
91661	1066	" " Block with 620c ...
91662	880	" " " Engaging Plunger ...
91663	880	" " " " Bush ...
91665	880	" " " " Head ...
620c	1876	" " " " Position Screw ...
91664	880	" " " " Spring ...
91666	-	" " " " 91662 with 91663 to 91665 ...
91667	880	" " Draw-up Spring ...
111f	1876	" " " " Screw (2) ...
91668	880	" " Handle ...
401f	1876	" " " Screw ...
91669	880	" " Holder ...
91670	880	" " " Gland ...
203c	1876	" " " " Screw (2) ...
207f	1876	" " " " Screw (2) ...
239f	2562	" " Stop Screw ...
91671	2559	Needle Bar ...
196al	1876	" " Needle Clamping Screw ...
91672	1066	Needle Bar Connection with two 158c ...
91673	1066	" " " Link (adjustable) with 1229c ...
1229c	1876	" " " " Clamping Screw ...

From the library of: Diamond Needle Corp

No.	Plate	
RR60	1875	Roller (1½" diam. × ⅝" face) with 378c and 1520r ...
82432	2559	" Arm ...
91674	2559	" " Bracket ...
430al	1876	" " " Adjusting Screw ...
1520r	1875	" " " " Nut ...
SS329c	1875	" " " Clamping Screw ...
82434	2559	" " Lock Spring ...
SS50c	1875	" " " Screw ...
313c	1876	" " Screw Centre ...
1519e	1875	" " " Nut ...
378c	1876	" Bearing Screw ...
1520r	1875	" " " Nut ...
91675	2559	Roller Presser , complete (1½" × ⅝"), Nos. SS50c, RR60, SS329c, 430al, 1520r, 82432, 82434, 91674, two each 313c and 1519e ...
91620	2561	Thread Take-up Cam with SS320c and SS370c ...
91677	880	" " " Link Connection with 90519 ...
3012	880	" " " " Pin ...
90519	---	" " " " Slide Block with 125060 ...
*125060	---	" " " " Stud ...
94868	---	Thread Take-up Lever with 9219 ...
94869	2560	" " " 94868 with RR24 and 1519e ...
*9219	---	" " " Thread Eyelet Bushing ...
91678	880	Throat Plate ...
91681	880	" " Cutting Bar , ⅛" ...
91694	---	" " " " ⅜" ...
91680	880	" " " " ⅝" ...
91679	880	" " " " ⅜" ...
91695	---	" " " " ⅜" ...
237f	1876	" " " " Screw ...
91682	880	" " Spring Slide ...
91683	880	" " " Spring ...
91684	880	" " " Stop ...
237f	1876	" " " " Screw ...
91685	---	Throat Plate , complete, Nos. 91678, 91680, 91682 to 91684 and three 237f ...

NOTE. When ordering 91685 state distance of trimmed edge from seam.

NOTE. Nos. 91679, 91680 and 91681 are sent with this machine unless otherwise specified on order.

No. 45K78 Machine

Drop Feed, Cylinder Bed, Hinged Presser Foot, Fitted with High Lift Trimming Knife on hinged bracket controlled by spring pressure. For Stitching and Trimming Shoulder Pads of Coats (Arm Scye Work).

This machine is the same as No. 45K21 with the following exceptions:

No.	Plate	
*91693	---	Arm with 446c, 82499 and 82549 ...
*98644	---	Bed (cylinder) ...
98668	2385	Face Plate ...
98669	---	Face Plate with Tension Releaser , complete, Nos. SS50f, 233d, 446c, 707f, 9804, 82449, 82450, 82455, 82502, 82503, 82525, 82551, 98668 and 98672 ...
SS44f	1875	Face Plate Screw (3) (to attach to machine) ...
98647	2387	Feed Dog (8 teeth to inch) for 98663 ...
98648	2386	Knife , ⅞" (short point) ...
91660	2559	" Bar ...
91661	1066	" " Block with 620c ...
91662	880	" " Engaging Plunger ...
91663	880	" " " " Bush ...
91665	880	" " " " Head ...
620c	1876	" " " " Position Screw ...
91664	880	" " " " Spring ...
91666	---	" " " " 91662 with 91663 to 91665 ...
91667	880	" " Draw up Spring ...
111f	1876	" " " Screw (2) ...
91668	880	" " Handle ...
401f	1876	" " " Screw ...
239f	2562	" " Stop Screw ...
98649	2386	Knife Holder (hinged) ...
98650	2386	" " Carrier with 904f ...
207f	1876	" " " Screw (2) ...
91670	880	" " Gland ...
203c	1876	" " " Screw (2) ...
98651	2386	" " Hinge Stud ...
904c	2562	" " " Set Screw ...
98652	2386	" " Spring ...
190c	1876	" " " Regulating Screw ...
98653	2386	" " Stop Plate ...
187c	2562	" " " Screw ...
98654	---	Knife Holder , complete, Nos. 187c, 190c and 98649 to 98653 ...

No.	Plate						
98655	2385	Needle Bar
196al	1876	" "	Needle Clamping Screw
91672	1066	Needle Bar Connection	with two 158c
91673	1066	" "	" Link (adjustable) with 1229c
1229c	1876	" "	" " Clamping Screw
8554	---	Presser Foot Hinge Pin
98656	---	" "	Plate
98657	---	" "	Shank
95489	2562	" "	Spring
98658	2387	Presser Foot	(hinged), complete, Nos. 8554, 95489, 98656 and 98657
98670	2386	Tension Releaser
SS606c	2386	" "	Actuating Screw Stud
1735j	2386	" "	" " " Nut
98671	2386	" "	Lever with 7483
50527c	2386	" "	" Hinge Screw
206d	2386	" "	Screw
9804	2386	" "	Spring
7483	2386	" "	" Hook
7071	2386	" "	" Washer
98672	---	Tension Releaser ,	complete, Nos. SS606c, 1735j, 50527c, 98670, 98671 and two 206d
91620	2561	Thread Take-up Cam	with SS320c and SS370c
98659	2387	" "	" Link Connection with 90519
3012	880	" "	" " " Pin
90519	---	" "	" " " Slide Block with 125060
*125060	---	" "	" " " Stud
94868	---	Thread Take-up Lever	with 9219
*9219	---	" "	" Thread Eyelet Bushing
94869	2560	" "	" 94868 with RH24 and 1519c
98660	2387	Throat Plate	(flat top)
98661	2387	" "	Cover Plate
213d	2562	" "	" " Screw (2)
98662	2387	" "	Cutting Bar, $\frac{5}{16}$ "
237f	1876	" "	" " Screw
98663	---	Throat Plate ,	complete, Nos. 98660, 98662 and two 237f

Accessories

No.	Plate						
95093	1697	Bobbins (2)
51077	1876	Machine Bolt with 1524c,	3" x $\frac{1}{4}$ " (4)
6055	1874	" "	Nut Washer (4)
---	---	Instruction Book
---	---	Needles (6)
120342	1600	Oiler
86611	1600	Screw Driver	(large)
120378	---	" "	(small)
8908	2561	Wrench for 1519 and 1520,	for 45K25 and 45K63 Machines

Attachments

Attachments for Stitching Rings into Golf Bags for No. 45K21 Machine.

No.	Plate						
85526	172	Feed Dog
85527	172	Guide (straight)
85528	172	Presser Foot
86400	---	Throat Plate
86401	---	" "	Raised Plate
190c	1876	" "	" " Screw
85529	172	Throat Plate, complete,	Nos. 86400, 86401 and two 190c
85530	172	Attachment ,	complete, Nos. 85526 to 85529

Attachment for Sewing Bag Handles for No. 45K21 Machine.

No.	Plate						
85531	882	Feed Dog
85532	882	Presser Foot
85533	882	Throat Plate
85534	882	Attachment ,	complete, Nos. 85531 to 85533

Attachment for Saddlery Work for No. 45K21 Machine.

No.	Plate	
85749	175	Base
85750	175	" Spring
85751	175	" " Regulator with SS310d
SS310d	1875	" " " Thumb Screw
207d	1876	" " Screw
85325	—	" " " Washer
85752	175	Binder only, complete, Nos. 207d, 85325 and 85749 to 85751
85822	175	Combination Guide
85823	175	" " Base
161d	1876	" " Screw
85514	—	" " " Washer
85824	175	Combination Guide, complete, Nos. 161d, 85514, 85822 and 85823
85825	175	Presser Foot (for Oval Traces)
85826	175	" " (" Sewing Rounds)
85753	175	" " (" Binding)
85827	175	" " (" General Work)
85828	175	Saddlery Attachment , complete, Nos. 85752, 85753 and 85824 to 85827

Binder for Leather for No. 45K21 Machine.

No.	Plate	
85749	175	Base
85750	175	" Spring
85751	175	" " Regulator with SS310d
SS310d	1875	" " " Thumb Screw
207d	1876	" " Screw
85325	—	" " " Washer
85752	175	Binder only, complete, Nos. 207d, 85325 and 85749 to 85751
85753	175	Presser Foot
85754	—	Binder , complete, Nos. 85752 and 85753

Welting Attachment for Boots for No. 45K21 Machine.

No.	Plate	
91422	225	Feed Dog
86132	225	Presser Foot
86128	—	Reel Holder Bracket
86129	—	" " " Pin
86130	225	Reel Holder, complete, Nos. 86128 and 86129
91329	225	Throat Plate
86127	225	Welt Guide
86134	225	Welting Attachment , complete, Nos. 86127, 86130, 86132, 91329 and 91422

Bobbin Winders

Bobbin Winder (Friction) for Nos. 45K21, 45K25, 45K63 and 45K78 Machines with Fast Pulley.

No.	Plate	
82527	838	Bracket
SS56d	1875	" Screw
82528	838	Frame
32d	—	" Hinge Screw
5960	—	Friction Wheel (leather)
5961	—	" " Washer
333r	1876	" " " Screw
91446	838	Spindle
5963	—	" Flange
91447	838	Frame, complete, Nos. 333r, 5960, 5961, 5963, 82528 and 91446
82537	838	Spring
161d	1876	" Screw
82538	838	" " Washer
91448	—	Bobbin Winder , complete, Nos. 32d, 161d, 82527, 82537, 82538 and 91447

Bobbin Winder (Friction) for Nos. 45K21, 45K25, 45K63 and 45K78 Machines when fitted with Driving Attachment.

This Bobbin Winder is the same as 91448 with the following exceptions:

No.	Plate	
91476	838	Bracket
91477	—	Bobbin Winder , complete, Nos. 32d, 161d, 82537, 82538, 91447 and 91476

Bobbin Winder (Swinging Automatic, Right Hand) for 95093

No.	Plate	
27540	1487	Base
—	—	" Screw (wood) 1" No. 7 R.H.
27302	1487	Frame
50356b	1487	" Hinge Screw
1620j	1487	" " " Nut
27303	1487	" Spring
27541	1487	Pulley
98673	1487	Spindle
27306	1488	Spool Pin
27307	1488	" Stand
†27308	—	" " 27307 with 418d, 1562j, 2106, 10141, 27306, two each 2455 and wood screws 1" No. 10

† As No. 27308 can be supplied either Plated or Japanned, it is necessary, when ordering, to state which is required.

No.	Plate	
95197	1487	Stop Latch
35d	1487	" " Hinge Screw
2455	1488	Tension Disc
1562j	1488	" Regulating Thumb Nut
418d	1488	" Screw Stud
10141	1488	" Spring
2106	1488	Thread Guide
95198	1488	Bobbin Winder, Nos. 35d, 1620j, 27302, 27303, 27540, 27541, 50356b, 95197, 98673 and two wood screws 1" No. 7 R.H.
95199	—	Bobbin Winder, complete, Nos. 27308 and 95198

Foot Lifter

No.	Plate	
91716	1063	Arm Lever
694d	1876	" " Hinge Screw
91457	755	Foot Lever with 176c
91459	755	" " Bracket
17881	755	" " Hinge Pin
—	—	" " Screw (wood) 1" No. 12
91458	755	" " Extension
176c	1876	" " Set Screw
98626	755	" " Spring
91454	—	Foot Lever only, complete, Nos. 17881, 91457 to 91459, 98626 and two wood screws 1" No. 12
17877	755	Foot Lever Pitman Rod (lower)
17878	755	" " " " (upper)
17879	755	" " " " Clamp with two 161d
161d	1876	" " " " Screw
17880	755	Foot Lever Pitman Rod, complete, Nos. 17877 to 17879
91453	755	" " " Connecting Hook (7" long)
91455	—	Foot Lever, complete, Nos. 17880 and 91454
91456	—	Foot Lifter, complete, Nos. 694d, 91453, 91455 and 91716

Hot Wax Fittings for Nos. 45K21 and 45K25 Machines

NOTE. — These Fittings may be used on the above Machines, but are only supplied when specified on order and are charged extra.

No.	Plate	
94996	—	Face Plate
SS45f	1875	" " Screw (top)
158e	1876	" " " (bottom)
82450	869	" " Thread Eyelet
SS50f	1875	" " " " Screw
91781	—	" " " Guard
201d	1876	" " " " Screw
94997	—	" " " Guide Stud (lower)
RR67	1875	" " " " " (") Roller
1247d	1876	" " " " " (") " Screw
94998	—	" " " " " complete, Nos. RR67, 1247d and 94997
448c	1876	" " " " " Set Screw
91357	—	" " " " " Wheel
52c	1876	" " " " " Hinge Screw
SS429c	1875	" " " " " " " " Reception Screw
91782	—	" " " " " Retaining Spring
1323f	1876	" " " " " Adjusting Screw
91783	—	" " " " " Plate
91784	—	Face Plate Thread Retaining Spring Position Pin
91366	—	" " " " " Tension Protecting Bracket with 91367
207d	1876	" " " " " " " " Screw
91367	—	" " " " " " " " Steady Pin
94999	—	Face Plate, complete, Nos. SS50f, 52c, 201d, 207d, SS429c, 448c, 1323f, 82450, 91357, 91366, 91781 to 91784, 94996 and 94998
94875	—	Face Plate Swing Cover
94876	—	" " " " " Hinge Block (steel)
94877	—	" " " " " " " " Pin
SS65d	1875	" " " " " " " " Screw
82216	2562	" " " " " " " " Steady Pin
80106	1062	" " " " " " " " Retaining Spring
219f	1876	" " " " " " " " Screw
82462	1062	" " " " " " " " Washer
94878	—	Face Plate Swing Cover, complete, Nos. SS65d, 219f, 80106, 82216, 82462 and 94875 to 94877

For the library of: Diamond Needle Corp.

No.	Plate	
94940	—	Face Plate and Swing Cover , complete, Nos. 94878 and 94999
94880	—	Hot Wax Pot
94881	—	" " " Bobbin Trough with two 193f
193f	1876	" " " " " Binding Screw
89363	—	" " " Tension Disc
*637e	1876	" " " " " Screw Stud
33929	—	" " " " " 637e with 1560d
1560d	1875	" " " " " Thumb Nut
2103	869	" " " " " Spring
94882	—	" " " " " Thread Guide
704c	1876	" " " " " " " Screw
91529	—	" " " " " Thread Eyelet (rubber)
SS308c	1875	" " " " " " " Screw
82402	1062	" " " " " " " Washer
94883	—	" " " " " Guide Bracket
91357	—	" " " " " " " Wheel
52c	1876	" " " " " " " " Screw
94884	—	" " " " " " " complete, Nos. 94883, three each 52c and 91357
793d	1876	" " " " " " " Binding Thumb Screw
94885	—	" " " " " " " Releasing Lever
90e	1876	" " " " " " " Hinge Screw
86196	—	" " " " " " " Threading Hook for 94886
94886	—	Hot Wax Pot , complete, Nos. 90e, SS308c, 704c, 2103, 33929, 82402, 86196, 91529, 94880 to 94882, 94884, 94885, two each 793d and 89363
SS39d	1875	Hot Wax Pot Binding Screw
94992	—	Heating Tube
91363	—	" " " Connecting Bracket (for Arm front)
91363	—	" " " " " " (" " back)
91362	—	" " " " " " (" Bed)
180f	1876	" " " " " " " Screw
91533h	—	" " " Lower Flame Guard Plate
180f	1876	" " " " " " " " Screw
94976	—	Heating Tube , 94992, with 91362, 91533h, two 91363 and six 180f
94948	—	Hot Wax Fittings , complete, Nos. SS39d, 94886, 94949 and 94976

Singer Driving Attachment

No.	Plate	
91473	1599	Balance Wheel with 434c, 451c, 91475 and four 402e
91474	1599	" " Friction Pulley (two-speeds) with 448c and 91294
91294	1599	" " " " " Centre Bearing
91475	1599	" " " " " Ring (cardboard)
402e	1876	" " " " " " " Screw
448c	1876	" " " " " " " Set Screw
434c	1876	" " " " " " " Set Screw (long)
451c	1876	" " " " " " " (short)
91296	755	Starting Lever
91297	755	" " Bracket
91298	—	" " " Hinge Pin
—	—	" " " Screw (wood), 11" No. 15
91299	755	Starting Lever, Nos. 91296 to 91298 and three wood screws 11" No. 15
17877	755	Starting Lever Pitman Rod (lower)
17878	755	" " " " " (upper)
17879	755	" " " " " Clamp with two 161d
161d	1876	" " " " " " " Screw
17880	755	Starting Lever Pitman Rod, complete, Nos. 17877 to 17879
91460	—	Starting Lever and Pitman, complete, Nos. 17880 and 91299
84275	—	Shaft Pulley (sectional, grooved), 10" diam., with two 597c
597c	1876	" " Clamping Screw
91301	1599	Lever with 7958 and 91306
91302	1599	" Bracket
SS38c	1875	" " Screw
91303	1599	" Centre Plug (wood)
427c	1876	" " " Adjusting Screw
1508e	1875	" " " " " " Nut
91306	—	" Friction Pad (leather)
693d	1876	" Hinge Screw
NN28c	1875	" " " Nut
91307	1599	" Spring
161d	1876	" " " Screw
7958	—	" " " " Pin
91309	—	Lever, complete, Nos. NN28c, 161d, 427c, 693d, 1508e, 91301 to 91303, 91307 and two SS38c
91478	—	Driving Attachment , complete, Nos. 84275, 91309, 91460, 91473 and 91474

Numerical List of Parts

No.	Plate	
SS22f	1875	Thread Take-up Lever Hinge Screw ...
RR24	1875	Thread Take-up Lever Roller and Screw Stud for 82453 and 94869
RR25	1875	Roller ($1\frac{1}{2}$ " dia. \times $\frac{5}{16}$ " face) with 378c and 1520r for 82435
NN28c	1875	Driving Attachment Lever Hinge Screw Nut for 91309
32d	..	Bobbin Winder Frame Hinge Screw for 91448 and 91477
35d	1487	Bobbin Winder Stop Latch Hinge Screw for 95198
SS38c	1875	Driving Attachment Lever Bracket Screw for 91309
SS39d	1875	Hot Wax Pot Binding Screw for 94948 ...
SS39d	1875	Work Plate Screw
SS42f	1062	Oil Box Stud Screw Set Screw for 91797 ...
SS44f	1875	Face Plate Screw (to attach to machine) for 45K63 and 45K78 Machines
SS45d	1875	Face Plate Screw (to attach to machine) for 45K21 and 45K25 Machines
SS45f	1875	Face Plate Screw (top) for 94999
SS50c	1875	Roller Arm Lock Spring Screw for 82435 and 91675
SS50f	1875	Thread Eyelet Screw for 91007, 91655, 94999 and 98669
SS50f	1875	Oil Box Oil Pad Screw for 91797
52c	1876	Face Plate Thread Guide Wheel Hinge Screw for 94999
52c	1876	Hot Wax Pot Thread Guide Bracket Wheel Screw for 94884
SS56d	1875	Bobbin Winder Bracket Screw for 91448 and 91477
RR60	1875	Roller ($1\frac{1}{2}$ " dia. \times $\frac{5}{16}$ " face) with 378c and 1520r for 91675
SS65d	1875	Face Plate Swing Cover Hinge Block Screw for 94878
SS65f	1875	Presser Foot Screw
RR67	1875	Face Plate Thread Guide Stud (lower) Roller for 94998
90c	1876	Hot Wax Pot Thread Releasing Lever Hinge Screw for 94886
111f	1876	Knife Bar Draw-up Spring Screw for 45K63 and 45K78 Machines
SS115d	1875	Feed Regulator Thumb Screw

From the library of: Diamond Heeler Corp

No.	Plate	
118e	1876	Arm Screw
144c	1876	Arm Shaft Screw
156f	1876	Feed Rock Shaft Crank Position Screw for 98674
156f	1876	Needle Clamp Screw for 82522
158e	1876	Crank Connecting Rod Cap Screw for 94801
158e	1876	Face Plate Screw (bottom) for 94999
158e	1876	Needle Bar Connection Clamping Screw for 91022 and 91672
161d	1876	Saddlery Attachment Combination Guide Screw for 85824
161d	1876	Bobbin Winder Spring Screw for 91448 and 91477
161d	1876	Foot Lifter Foot Lever Pitman Rod Clamp Screw for 17879
161d	1870	Driving Attachment Starting Lever Pitman Rod Clamp Screw for 17879
161d	1876	Driving Attachment Lever Spring Screw for 91309
176c	1876	Foot Lifter Foot Lever Extension Set Screw for 91457
180f	1876	Guide Plate Screw for 45K21, 45K25 and 45K78 Machines
180f	1876	Heating Tube Connecting Bracket Screw for 94976
180f	1876	Heating Tube Lower Flame Guard Plate Screw for 94976
180f	1876	Throat Plate Screw
SS186d	1875	Presser Bar Lifter Hinge Screw
187c	2562	Knife Holder Stop Plate Screw for 98654
190c	1876	Knife Holder Spring Regulating Screw for 98654
100c	1876	Throat Plate Raised Plate Screw for 85529
190f	1876	Presser Bar Lifting Bracket Tension Release Binding Screw for 91569
193f	1876	Hot Wax Pot Bobbin Trough Binding Screw for 94881
196a1	1876	Needle Bar Needle Clamping Screw for 45K63 and 45K78 Machines
201d	1876	Face Plate Thread Guard Screw for 94999
203c	1876	Knife Bar Holder Gland Screw for 45K63 Machine
203c	1876	Knife Holder Gland Screw for 45K78 Machine
206d	2386	Tension Releaser Screw for 98672
207d	1876	Binder Base Spring Screw for 85752
207d	1876	Face Plate Thread Tension Protecting Bracket Screw for 94999

No.	Plate	
207f	1876	Knife Bar Holder Screw for 45K63 Machine
207f	1876	Knife Holder Carrier Screw for 45K78 Machine
207f	1876	Presser Bar Lifting Bracket Automatic Thread Controller Screw
213d	2562	Throat Plate Cover Plate Screw for 45K78 Machine
SS218d	1875	Shuttle Race Cap Spring Screw
219f	1876	Face Plate Swing Cover Retaining Spring Screw for 94878
219f	1876	Oil Box Cover Latch Spring Screw for 91797
233d	1876	Thread Guard Screw for 91007, 91655 and 98669
237f	1876	Throat Plate Cutting Bar Screw for 91685 and 98663
237f	1876	Throat Plate Spring Slide Spring Stop Screw for 91685
239f	2562	Knife Bar Stop Screw for 45K63 and 45K78 Machines
SS308c	1875	Hot Wax Pot Thread Eyelet Screw for 94886
SS310d	1875	Binder Base Spring Regulator Thumb Screw for 85751
313c	1876	Roller Arm Screw Centre for 82435 and 91675
SS316d	1875	Presser Bar Screw Bushing
SS317e	1875	Tension Screw Stud for 82502
SS318d	1875	Shuttle Race Ring Position Screw Stud
SS320c	1875	Thread Take-up Cam Set Screw for 91617 and 91620
SS329c	1875	Roller Arm Bracket Clamping Screw for 82435 and 91675
333r	1876	Bobbin Winder Friction Wheel Washer Screw for 91447
SS370c	1062	Thread Take-up Cam Timing Screw for 91617 and 91620
375c	1876	Feed Connecting Link Hinge Screw
375c	1876	Feed Forked Connection Hinge Screw
375c	1876	Needle Bar Connection Link Hinge Screw
SS377f	1697	Shuttle Tension Spring Adjusting Screw for 98623
378c	1876	Roller Bearing Screw for RR25 and RR60
SS395f	1062	Oil Box Stud Screw
401f	1876	Knife Bar Handle Screw for 45K63 and 45K78 Machines
402e	1876	Driving Attachment Balance Wheel Friction Pulley Ring Screw for 91473
*413e	1876	Thread Retainer Screw Stud for 33892
418d	1488	Bobbin Winder Tension Screw Stud for 27308

No.	Plate	
427c	1876	Driving Attachment Lever Centre Plug Adjusting Screw for 91309
SS429c	1875	Face Plate Thread Guide Wheel Hinge Screw Reception Screw Stud for 94999
430al	1876	Roller Arm Bracket Adjusting Screw for 82435 and 91675
434c	1876	Driving Attachment Balance Wheel Set Screw (long) for 91473
434c	1876	Machine Pulley Set Screw for 82404 and 91002
446c	1876	Arm Shaft Bushing Set Screw for 82499 for 91571 and 91693
446c	1876	Feed Cam Set Screw for 3032
446c	1876	Presser Bar Lifting Bracket Set Screw for 91567
440c	1876	Tension Screw Stud Set Screw for 91007, 91655 and 98669
448c	1876	Driving Attachment Balance Wheel Friction Pulley Set Screw for 91474
448c	1876	Face Plate Thread Guide Stud Set Screw for 94999
451c	1876	Driving Attachment Balance Wheel Set Screw (short) for 91473
453c	1876	Oscillating Shuttle Shaft Crank Set Screw for 91172
SS517c	2562	Feed Rock Shaft Crank Clamping Screw for 98674
SS531c	2001	Oscillating Rock Shaft Hinge Pin Screw Bearing
SS537e	2001	Oscillating Rock Shaft Steel Plate Binding Screw for 98639
SS574d	2562	Shuttle Cylinder Latch Spring Screw for 98623
507c	1876	Driving Attachment Shaft Pulley Clamping Screw for 84275
SS606c	2386	Tension Releaser Actuating Screw Stud for 98672
620c	1876	Knife Bar Block Engaging Plunger Position Screw for 91661
*637e	1876	Hot Wax Pot Tension Screw Stud for 33929
693d	1876	Driving Attachment Lever Hinge Screw for 91309
694d	1876	Foot Lifter Arm Lever Hinge Screw for 91456
704c	1876	Feed Dog Screw
704c	1876	Hot Wax Pot Tension Thread Guide Screw for 94886

No.	Plate	
793d	1876	Guide Thumb Screw for 86135
793d	1876	Hot Wax Pot Thread Guide Bracket Binding Thumb Screw for 94886
904c	2562	Knife Holder Hinge Stud Set Screw for 98650
1128c	1876	Feed Regulator Hinge Screw
1229c	1876	Needle Bar Connection Link Clamping Screw for 91673
1247d	1876	Face Plate Thread Guide Stud (lower) Roller Screw for 94998
1259c	1876	Feed Rock Shaft Carrier Slide Set Screw for 91165
1323f	1876	Face Plate Thread Retaining Spring Adjusting Screw for 94999
1508e	1875	Driving Attachment Lever Centre Plug Adjusting Screw Nut for 91309
1513j	1875	Oscillating Rock Shaft Hinge Pin Nut
1513j	1875	Oscillating Rock Shaft Hinge Pin Screw Bearing Nut
1518e	1875	Feed Connecting Link Hinge Screw Nut
1518e	1875	Feed Forked Connection Hinge Screw Nut
1518e	1875	Needle Bar Connection Link Hinge Screw Nut
1518e	1875	Presser Bar Lifter Hinge Screw Nut
1519e	1875	Thread Take-up Lever Roller and Screw Stud Nut for 82453 and 94869
1519e	1875	Roller Arm Screw Centre Nut for 82435 and 91675
1520r	1875	Roller Arm Bracket Adjusting Screw Nut for 82435 and 91675
1520r	1875	Roller Bearing Screw Nut for RR25 and RR60
1560d	1875	Hot Wax Pot Tension Screw Stud Thumb Nut for 33929
1560d	1875	Tension Screw Stud Regulating Thumb Nut for 82502
1560d	1875	Thread Retainer Screw Stud Regulating Thumb Nut for 33892
1562j	1488	Bobbin Winder Tension Regulating Thumb Nut for 27308
1620j	1487	Bobbin Winder Frame Hinge Screw Nut for 95198
1668c	1875	Crank Connecting Rod Hinge Stud Cottar Pin Nut for 98641
1698c	2001	Oscillating Rock Shaft Steel Plate Binding Screw Lock Nut for 98639
1735j	2386	Tension Releaser Actuating Screw Stud Nut for 98672
1850	1875	Oscillating Shuttle Shaft Crank Roller and Stud for 91172

From the library: Dammig, Neude, Jorj

No.	Plate	
2102	1062	Thread Retainer Disc for 82503 ...
2103	869	Hot Wax Pot Tension Spring for 91886 ...
2103	869	Thread Retainer Spring for 82503 ...
2106	1488	Bobbin Winder Thread Guide for 27308 ...
2455	1488	Bobbin Winder Tension Disc for 27308 ...
3012	880	Thread Take-up Cam Link Connection Pin for 45K63 and 45K78 Machines ...
3032	869	Feed Cam with 446c ...
5960	—	Bobbin Winder Friction Wheel (leather) for 91447 ...
5961	—	Bobbin Winder Friction Wheel Washer for 91447 ...
5963	—	Bobbin Winder Spindle Flange for 91447 ...
6055	1874	Machine Bolt Nut Washer (Accessories)
7071	2386	Tension Releaser Spring Washer for 98669 ...
7483	2386	Tension Releaser Spring Hook for 98671 ...
7958	—	Driving Attachment Lever Spring Screw Pin for 91301 ...
8554	—	Presser Foot Hinge Pin for 98658 ...
8582	1062	Arm Dowel Pin ...
8908	2561	Wrench for 1519 and 1520 for 45K25 and 45K63 Machines (Accessories)
*9219	—	Thread Take-up Lever Thread Eyelet Bushing for 94868 ...
9804	2386	Tension Releaser Spring for 98669 ...
10141	1488	Bobbin Winder Tension Spring for 27308 ...
11663	871	Oscillating Shuttle Shaft Crank Pin ...
11663	871	Shuttle Driver Pin ...
17877	755	Foot Lifter Foot Lever Pitman Rod (lower) for 17880 ...
17877	755	Driving Attachment Starting Lever Pitman Rod (lower) for 17880 ...
17878	755	Foot Lifter Foot Lever Pitman Rod (upper) for 17880 ...
17878	755	Driving Attachment Starting Lever Pitman Rod (upper) for 17880 ...
17879	755	Foot Lifter Foot Lever Pitman Rod Clamp with two 161d for 17880 ...
17879	755	Driving Attachment Starting Lever Pitman Rod Clamp with two 161d for 17880 ...
17880	755	Foot Lifter Foot Lever Pitman Rod, complete, Nos. 17877 to 17879 for 91455 ...

No.	Plate	
17880	755	Driving Attachment Starting Lever Pitman Rod, complete, Nos. 17877 to 17879 for 91460 ...
17881	755	Foot Lifter Foot Lever Bracket Hinge Pin for 91454 ...
27302	1187	Bobbin Winder Frame for 95198 ...
27303	1487	Bobbin Winder Frame Spring for 95198 ...
27306	1488	Bobbin Winder Spool Pin for 27308 ...
27307	1488	Bobbin Winder Spool Stand for 27308 ...
†27308		Bobbin Winder Spool Stand 27307 with 418d, 1562j, 2106, 10141, 27306, two each 2455 and wood screws 1" No. 10, for 95199 ...
† As No. 27308 can be supplied, either Plated or Japanned it is necessary, when ordering, to state which is required.		
27540	1487	Bobbin Winder Base for 95198 ...
27541	1487	Bobbin Winder Pulley for 95198 ...
33892		Thread Retainer Screw Stud 413c with 1560d for 82503 ...
33929		Hot Wax Pot Tension Screw Stud 637c with 1560d, for 94886 ...
50356b	1487	Bobbin Winder Frame Hinge Screw for 95198 ...
50406d	1876	Needle Clamp Thread Guide Screw for 82522 ...
50527c	2386	Tension Releaser Lever Hinge Screw for 98672 ...
51077	1876	Machine Bolt with 1524c (3" x 1") (Accessories)
51224d	1876	Arm Side Cover Thumb Screw ...
52165	869	Feed Connecting Link ...
80106	1062	Face Plate Swing Cover Retaining Spring for 94878 ...
80106	1062	Oil Box Cover Latch Spring for 91797 ...
82216	2562	Face Plate Swing Cover Hinge Block Steady Pin for 94878 ...
82400	871	Arm Shaft Oil Tube ...
82402	2560	Arm Side Cover ...
82403	871	Arm Spool Pin ...
82404	1599	Machine Pulley (two-speeds) with two 131c ...
82414	1066	Feed Regulator ...
82426	2560	Presser Bar (with squared end) ...
82429	869	Presser Bar Lifter ...
82430	871	Presser Bar Spring ...
82432	2559	Roller Arm for 82435 and 91675 ...
82433	2559	Roller Arm Bracket for 82435 ...
82434	2559	Roller Arm Lock Spring for 82435 and 91675 ...

From the library of the Diamond Needle Corp.

No.	Plate	
82435	2559	Roller Presser, complete (14" x 6"), Nos. RR25, SS50c, SS329c, 430a, 1520r, 82432 to 82434, two each 313c and 1519e for 45K25 Machine
82445	869	Tension Spring for 82502
82446	871	Tension Washer (felt) for 82502
82447	869	Tension Washer (steel) for 82502
82448	—	Tension Wheel for 82502
82449	869	Thread Guard for 91007, 91655 and 98669
82450	869	Thread Eyelet for 91007, 91655, 94999 and 98669
82452	—	Thread Take-up Lever for 82453
82453	869	Thread Take-up Lever 82452 with RR24 and 1519e for 45K21 and 45K25 Machines
82455	871	Thread Controlling Lever Stop Pin for 91007, 91655 and 98669
82459	1063	Oil Box Cover for 91797
82460	1062	Oil Box Cover Hinge Pin for 91797
82462	1062	Face Plate Swing Cover Retaining Spring Screw Washer for 94878
82462	1062	Hot Wax Pot Thread Eyelet Screw Washer for 94886
82462	1062	Oil Box Cover Latch Spring Screw Washer for 91797
82462	1062	Oil Box Oil Pad Screw Washer for 91797
82463	—	Oil Box Oil Pad (cloth) for 91797
82499	869	Arm Shaft Bushing (back) for 91571 and 91693
82502	2561	Tension, complete, Nos. SS317c, 1560d, 82445, 82448, two each 82446 and 82447 for 91007, 91655 and 98669
82503	2561	Thread Retainer, complete, Nos. 2103, 33892 and two 2102, for 91007, 91655 and 98669
82510	800	Presser Bar Lifting Bracket Tension Release for 91569
82520	871	Needle Clamp for 82522
82521	871	Needle Clamp Thread Guide for 82522
82522	—	Needle Clamp 82520 with 156f, 50406d and 82521 for 45K21 and 45K25 Machines
82525	869	Thread Controlling Lever Spring for 91007, 91655 and 98669
82527	838	Bobbin Winder Bracket for 91448
82528	838	Bobbin Winder Frame for 91447
82537	838	Bobbin Winder Spring for 91448 and 91477
82538	838	Bobbin Winder Spring Screw Washer for 91448 and 91477

No.	Plate	
82549	1062	Arm Shaft Bushing (front) for 91571 and 91693
82551	1062	Thread Controlling Lever for 91007, 91655 and 98669
84275	—	Driving Attachment Shaft Pulley (sectional, grooved), 10" diam., with two 597c, for 91478
85325	—	Binder Base Spring Screw Washer for 85752
85514	—	Saddlery Attachment Combination Guide Screw Washer for 85824
85526	172	Feed Dog for 85530
85527	172	Guide (straight) for 85530
85528	172	Presser Foot for 85530
85529	172	Throat Plate, complete, Nos. 86400, 86401 and two 190c for 85530
85530	172	Attachment for Stitching Rings into Golf Bags, complete, Nos. 85526 to 85529 for 45K21 Machine
85531	882	Feed Dog for 85531
85532	882	Presser Foot for 85531
85533	882	Throat Plate for 85531
85534	882	Attachment for Sewing Bag Handles, complete, Nos. 85531 to 85533 for 45K21 Machine
85749	175	Binder Base for 85752
85750	175	Binder Base Spring for 85752
85751	175	Binder Base Spring Regulator with SS310d for 85752
85752	175	Binder only, complete, Nos. 207d, 85322 and 85749 to 85751 for 85751 and 85828
85753	175	Saddlery Attachment Presser Foot (for Binding) for 85828
85753	175	Binder Presser Foot for 85754
85754	—	Binder (for leather), complete, Nos. 85752 and 85753 for 45K21 Machine
85822	175	Saddlery Attachment Combination Guide for 85824
85823	175	Saddlery Attachment Combination Guide Base for 85824
85824	175	Saddlery Attachment Combination Guide, complete, Nos. 161d, 85514, 85822 and 85823 for 85828
85825	175	Saddlery Attachment Presser Foot (for Oval Traces) for 85828
85826	175	Saddlery Attachment Presser Foot (for Sewing Rounds) for 85828
85827	175	Presser Foot (leather) for 45K21 Machine

No.	Plate	
85827	175	Saddlery Attachment Presser Foot (for General Work) for 85828
85828	175	Saddlery Attachment, complete, Nos. 85752, 85753 and 85824 to 85827 for 45K21 Machine
86127	225	Welting Attachment Welt Guide for 86134
86128	—	Welting Attachment Reel Holder Bracket for 86130
86129	—	Welting Attachment Reel Holder Bracket Pin for 86130
86130	225	Welting Attachment Reel Holder, complete, Nos. 86128 and 86129 for 86134
86132	225	Welting Attachment Presser Foot for 86134
86134	225	Welting Attachment for Boots, complete, Nos. 86127, 86130, 86132, 91329 and 91422 for 45K21 Machine
86135	1067	Guide for 45K21, 45K25 and 45K78 Machines
86196	—	Hot Wax Pot Threading Hook for 94886
86400	—	Throat Plate for 85520
86401	—	Throat Plate Raised Plate for 85520
86611	1600	Screw Driver (large) (Accessories)
89363	—	Hot Wax Pot Tension Disc for 94886
90519	—	Thread Take-up Cam Link Connection Slide Block with 125060 for 91677 and 98659
91002	—	Machine Pulley (two-speeds) (heavy) with two 434c
91006	2560	Face Plate for 91007
91007	—	Face Plate, complete, Nos. SS50f, 233d, 446c, 82449, 82450, 82455, 82502, 82503, 82525, 82551 and 91006 for 45K21 and 45K25 Machines
91021	2560	Needle Bar for 45K21 and 45K25 Machines
91022	871	Needle Bar Connection with two 158e for 45K21 and 45K25 Machines
91023	800	Needle Bar Connection Link for 45K21 and 45K25 Machines
91033	1067	Presser Foot (cloth) for 45K21 Machine
91034	871	Presser Foot (leather) for 45K21 Machine
91042	1697	Shuttle Cylinder Hinge Pin for 98623
91043	1697	Shuttle Cylinder Latch Spring for 98623
*91157	—	Bed (Cylinder) for 45K21, 45K25 and 45K63 Machines
91160	1874	Feed Dog Carrier
91161	1068	Feed Forked Connection
*91162	—	Feed Rock Shaft for 91163
91163	1068	Feed Rock Shaft 91162 with 91165 and 91166 for 91565

No.	Plate	
91165	—	Feed Rock Shaft Carrier Slide with 1259c for 91163
91166	—	Feed Rock Shaft Carrier Slide Steady Pin for 91163
91168	1067	Guide Plate (.153 thick) for 45K21, 45K25 and 45K78 Machines
91171	1068	Oscillating Shuttle Shaft
91172	1874	Oscillating Shuttle Shaft Crank with 453c and 1850
91177	—	Work Plate for 45K21 and 45K25 Machines
91294	1599	Driving Attachment Balance Wheel Friction Pulley Centre Bearing for 91474
91296	755	Driving Attachment Starting Lever for 91299
91297	755	Driving Attachment Starting Lever Bracket for 91299
91298	—	Driving Attachment Starting Lever Bracket Hinge Pin for 91299
91299	755	Driving Attachment Starting Lever, Nos. 91296 to 91298 and three wood screws 117 No. 15, for 91460
91301	1599	Driving Attachment Lever with 7958 and 91306 for 91309
91302	1599	Driving Attachment Lever Bracket for 91309
91303	1599	Driving Attachment Lever Centre Plug (wood) for 91309
91306	—	Driving Attachment Lever Friction Pad (leather) for 91301
91307	1599	Driving Attachment Lever Spring for 91309
91309	—	Driving Attachment Lever, complete, Nos. NN28c, 161d, 427c, 693d, 1508e, 91301 to 91303, 91307 and two SS38c for 91478
91315	1874	Shuttle Race Cap Spring
91329	1066	Throat Plate for 45K21 and 45K25 Machines
91329	225	Welting Attachment Throat Plate for 86134
91357	—	Face Plate Thread Guide Wheel for 94999
91357	—	Hot Wax Pot Thread Guide Bracket Wheel for 94884
91362	—	Heating Tube Connecting Bracket (for Bed) for 94976
91363	—	Heating Tube Connecting Bracket (for Arm, front) for 94976
91363	—	Heating Tube Connecting Bracket (for Arm, back) for 94976
91366	—	Face Plate Thread Tension Protecting Bracket with 91367 for 94999
91367	—	Face Plate Thread Tension Protecting Bracket Steady Pin for 91366

 From the Library of: **Diamond Needle Corp.**

No.	Plate	
91422	1066	Feed Dog (General Work, Cloth or Leather) for 91329 for 45K21 and 45K25 Machines
91422	225	Welting Attachment Feed Dog for 86134 ...
91430	1874	Shuttle Race Ring ...
91446	838	Bobbin Winder Spindle for 91447 ...
91447	838	Bobbin Winder Frame, complete, Nos. 333r, 5960, 5961, 5963, 82528 and 91446 for 91448 and 91477 ...
91448	—	Bobbin Winder (friction), complete, for Nos. 45K21, 45K25, 45K63 and 45K78 Machines (with Fast Pulley), Nos. 32d, 161d, 82527, 82537, 82538 and 91447 ...
91451	827	Shuttle Race (cast iron) ...
91452	827	Shuttle Race Cover ...
91453	755	Foot Lifter Foot Lever Pitman Connecting Hook (7" long) for 91456 ...
91454	—	Foot Lifter Foot Lever only, complete, Nos. 17881, 91457 to 91459, 98626 and two wood screws 1" No. 12, for 91455 ...
91455	—	Foot Lifter Foot Lever, complete, Nos. 17880 and 91454 for 91456 ...
91456	—	Foot Lifter, complete, Nos. 691d, 91453, 91455 and 91716 ...
91457	755	Foot Lifter Foot Lever with 176c for 91454 ...
91458	755	Foot Lifter Foot Lever Extension for 91454 ...
91459	755	Foot Lifter Foot Lever Bracket for 91454 ...
91460	—	Driving Attachment Starting Lever and Pitman, complete, Nos. 17880 and 91299 for 91478 ...
91473	1599	Driving Attachment Balance Wheel with 434c, 451c, 91475 and four 402c for 91478 ...
91474	1599	Driving Attachment Balance Wheel Friction Pulley (two-speeds) with 448c and 91294 for 91478 ...
91475	1599	Driving Attachment Balance Wheel Friction Pulley Ring (cardboard) for 91473 ...
91476	838	Bobbin Winder Bracket for 91477 ...
91477	—	Bobbin Winder (friction), complete, for Nos. 45K21, 45K25, 45K63 and 45K78 Machines (when fitted with Driving Attachment), Nos. 32d, 161d, 82537, 82538, 91447 and 91476 ...
91478	—	Driving Attachment, complete, Nos. 84275, 91309, 91460, 91473 and 91474 ...
91529	—	Hot Wax Pot Thread Eyelet (rubber) for 94886 ...

No.	Plate	
91533h	—	Heating Tube Lower Flame Guard Plate for 94976 ...
91565	—	Feed Rock Shaft 91163 with 98674 ...
91567	871	Presser Bar Lifting Bracket with 446c for 91569 ...
91568	871	Presser Bar Lifting Bracket Automatic Thread Controller ...
91569	—	Presser Bar Lifting Bracket 91567 with 82510 and two 190f ...
*91571	—	Arm with 446c, 82499 and 82549, for 45K21 and 45K25 Machines ...
91615	1063	Arm Shaft ...
91617	1062	Thread Take-up Cam with SS320c and SS370c for 45K21 and 45K25 Machines ...
91620	2561	Thread Take-up Cam with SS320c and SS370c for 45K63 and 45K78 Machines ...
91654	2559	Face Plate for 91655 ...
91655	—	Face Plate, complete, Nos. SS50f, 233d, 446c, 82449, 82450, 82455, 82502, 82503, 82525, 82551 and 91654 for 45K63 Machine ...
91656	880	Feed Dog for 45K63 Machine ...
91657	880	Knife, $\frac{5}{32}$ " for 45K63 Machine ...
91658	880	Knife, $\frac{1}{8}$ " for 45K63 Machine ...
91659	880	Knife, $\frac{5}{16}$ " for 45K63 Machine ...
91660	2559	Knife Bar for 45K63 and 45K78 Machines ...
91661	1066	Knife Bar Block with 620c for 45K63 and 45K78 Machines ...
91662	880	Knife Bar Block Engaging Plunger for 91666 ...
91663	880	Knife Bar Block Engaging Plunger Bush for 91666 ...
91664	880	Knife Bar Block Engaging Plunger Spring for 91666 ...
91665	880	Knife Bar Block Engaging Plunger Head for 91666 ...
91666	—	Knife Bar Block Engaging Plunger 91662 with 91663 to 91665 for 45K63 and 45K78 Machines ...
91667	880	Knife Bar Draw-up Spring for 45K63 and 45K78 Machines ...
91668	880	Knife Bar Handle for 45K63 and 45K78 Machines ...
91669	880	Knife Bar Holder for 45K63 Machine ...
91670	880	Knife Bar Holder Gland for 45K63 Machine ...
91670	880	Knife Holder Gland for 45K78 Machine ...
91671	2559	Needle Bar for 45K63 Machine ...
91672	1066	Needle Bar Connection with two 158c for 45K63 and 45K78 Machines ...

From the Library of Diamond Needle Corp

No.	Plate	
91673	1066	Needle Bar Connection Link (adjustable) with 1229c for 45K63 and 45K78 Machines
91674	2559	Roller Arm Bracket for 91675
91675	2559	Roller Presser, complete, (1 1/2" x 5/8"), Nos. SS50c, RR60, SS329c, 430a1, 1520r, 82432, 82434, 91674, two each 313c and 1519c for 45K63 Machine
91677	880	Thread Take-up Cam Link Connection with 90519 for 45K63 Machine
91678	880	Throat Plate for 91685
91679	880	Throat Plate Cutting Bar, 3/8", for 91685
91680	880	Throat Plate Cutting Bar, 1/2", for 91685
91681	880	Throat Plate Cutting Bar, 5/8", for 91685
91682	880	Throat Plate Spring Slide for 91685
91683	880	Throat Plate Spring Slide Spring for 91685
91684	880	Throat Plate Spring Slide Spring Stop for 91685
91685		Throat Plate, complete, Nos. 91678, 91680, 91682 to 91684 and three 237f for 45K63 Machine
		<i>NOTE.-- When ordering 91685 state distance of trimmed edge from seam.</i>
*91693		Arm with 446c, 82499 and 82549, for 45K63 and 45K78 Machines
91694		Throat Plate Cutting Bar, 3/2", for 91685
91695		Throat Plate Cutting Bar, 1", for 91685
91716	1063	Foot Lifter Arm Lever for 91456
91781		Face Plate Thread Guard for 94999
91782		Face Plate Thread Retaining Spring for 94999
91783		Face Plate Thread Retaining Spring Plate for 94999
91784		Face Plate Thread Retaining Spring Position Pin for 94999
91796	1063	Oil Box for 91797
91797	1063	Oil Box, complete, Nos. SS42f, SS50f, 219f, 80106, 82459, 82460, 82463, 91796 and two 82462 for 45K21, 45K25 and 45K63 Machines
94801	1068	Crank Connecting Rod with 94802, 94872 and two 158e
*94802		Crank Connecting Rod Cap for 94801
94868		Thread Take-up Lever with 9219 for 94869
94869	2560	Thread Take-up Lever 94868 with RR24 and 1519c for 45K63 and 45K78 Machines
94872	2561	Crank Connecting Rod Cap Oil Pad for 94801
94875		Face Plate Swing Cover for 94878

No.	Plate	
94876		Face Plate Swing Cover Hinge Block (steel) for 94878
94877		Face Plate Swing Cover Hinge Block Pin for 94878
94878		Face Plate Swing Cover, complete, Nos. SS65d, 219f, 80106, 82216, 82462 and 94875 to 94877 for 94949
94880		Hot Wax Pot for 94886
94881		Hot Wax Pot Bobbin Trough with two 193f for 94886
94882		Hot Wax Pot Tension Thread Guide for 94886
94883		Hot Wax Pot Thread Guide Bracket for 94881
94884		Hot Wax Pot Thread Guide Bracket, complete, Nos. 94883, three each 52c and 91357 for 94886
94885		Hot Wax Pot Thread Releasing Lever for 94886
94886		Hot Wax Pot, complete, Nos. 90c, SS308c, 701c, 2103, 33929, 82462, 86196, 91529, 94880 to 94882, 94884, 94885, two each 793d and 89363 for 94948
94948		Hot Wax Fittings, complete, Nos. SS39d, 94886, 94949 and 94976, for 45K21 and 45K25 Machines
94949		Face Plate and Swing Cover, complete, Nos. 94878 and 94999, for 94948
94976		Heating Tube, 94992, with 91362, 91533f, two 91363 and six 180f, for 94948
94992		Heating Tube for 94976
94996		Face Plate for 94999
94997		Face Plate Thread Guide Stud (lower) for 94998
94998		Face Plate Thread Guide Stud, complete, Nos. RR67, 1247d and 94997, for 94999
94999		Face Plate, complete, Nos. SS50f, 52c, 204d, 207d, SS429c, 448c, 1323f, 82450, 91357, 91366, 91781 to 91784, 94996 and 94998 for 94949
95093	1697	Shuttle Bobbin for 98623
95094	1697	Shuttle Cylinder for 98623
95095	1697	Shuttle Tension Spring for 98623
95197	1487	Bobbin Winder Stop Latch for 95198
95198	1488	Bobbin Winder, Nos. 35d, 1620j, 27302, 27303, 27540, 27541, 50356b, 95197, 98673 and two wood screws 1" No. 7 R 11 for 95199

No.	Plate	
95199	--	Bobbin Winder (Swinging Automatic, Right Hand), complete, Nos. 27308 and 95198 for 95093
95489	2562	Presser Foot Spring for 98658
98608	2561	Shuttle Driver and Feed Raising Cam
98614	2561	Crank Connecting Rod Hinge Stud Cotter Pin for 98641
98620	1697	Shuttle Frame for 98623
98623	1697	Shuttle (Cylinder), 2 $\frac{1}{2}$ " diam., complete, Nos. SS377f, SS574d, 91042, 91043, 95093 to 95095 and 98620
98626	755	Foot Lifter Foot Lever Spring for 91454
98627	2561	Crank Connecting Rod Hinge Stud for 98641
98636	2001	Oscillating Rock Shaft Steel Plate (bottom) for 98639
98637	2001	Oscillating Rock Shaft Steel Plate (top) for 98639
98639	2001	Oscillating Rock Shaft with 98636, 98637, two each SS537e and 1698c for 98641
98641	--	Oscillating Rock Shaft, complete, Nos. 1668c, 98614, 98627 and 98639
98642	2562	Oscillating Rock Shaft Hinge Pin
*98644	--	Bed (cylinder) for 45K78 Machine
98647	2387	Feed Dog (8 teeth to inch) for 98663
98648	2386	Knife $\frac{7}{16}$ " (short point) for 45K78 Machine
98649	2386	Knife Holder (hinged) for 98654
98650	2386	Knife Holder Carrier with 904c, for 98654
98651	2386	Knife Holder Hinge Stud for 98654
98652	2386	Knife Holder Spring for 98654
98653	2386	Knife Holder Stop Plate for 98654
98654	--	Knife Holder, complete, Nos. 187c, 190c and 98649 to 98653, for 45K78 Machine
98655	2385	Needle Bar for 45K78 Machine
98656	--	Presser Foot Plate for 98658
98657	--	Presser Foot Shank for 98658
98658	2387	Presser Foot (hinged), complete, Nos. 8554, 95489, 98656 and 98657, for 45K78 Machine
98659	2387	Thread Take-up Cam Link Connection with 90519, for 45K78 Machine
98660	2387	Throat Plate (flat top) for 98663
98661	2387	Throat Plate Cover Plate for 45K78 Machine
98662	2387	Throat Plate Cutting Bar $\frac{5}{16}$ ", for 98663
98663	--	Throat Plate, complete, Nos. 98660, 98662 and two 237f, for 45K78 Machine
98668	2385	Face Plate for 98669

No.	Plate	
98669	--	Face Plate with Tension Releaser, complete, Nos. SS50f, 233d, 446c, 707f, 9804, 82449, 82450, 82455, 82502, 82503, 82525, 82551, 98668 and 98672, for 45K78 Machine
98670	2386	Tension Releaser for 98672
98671	2386	Tension Releaser Lever with 7483, for 98672
98672	--	Tension Releaser, complete, Nos. SS606c, 1735j, 50527c, 98670, 98671 and two 206d, for 98669
98673	1487	Bobbin Winder Spindle for 95198
98674	--	Feed Rock Shaft Crank with 156f and SS517c, for 91565

NUMERICAL LIST OF PARTS

No.	Plat.		(Accessories)
120342	1600	Oiler	(Accessories)
120378		Screw Driver (small)	(Accessories)
*125060		Thread Take up Cam Link Connection Slide Block Stud for 90519	

From the library of: Diamond Needle Corp